

LED50W12VP-01

CONSTANT VOLTAGE

50W, 1600mA, MLV dimmable, 100-130V AC Input

- Dry location



Ordering Information Clear Form

Date :	Quantity :
Project :	Note :
Type :	

Specifications

LED Driver | Example Code: LED50W12VP-01-B

Product	Enclosure
LED50W12VP-01	B
	B driver enclosure

Important Notes

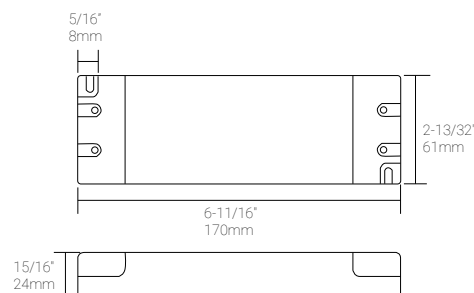
Warranty Notes & Disclaimer

MP Lighting reserves the right, at its sole discretion, at any time and without notice, to make improvements and innovations to any of our products. Consult MP Lighting website for further details.

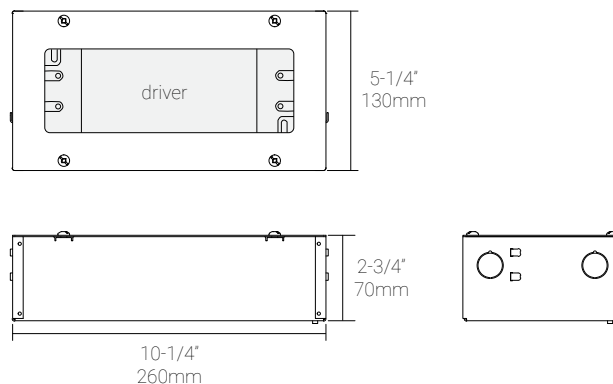
1. Do not install on-off switch at the output (load) side of a constant current LED driver as it will damage the fixture(s) and will void the warranty on both driver and fixture(s).
2. Fixtures must be wired as per MP Lighting's instruction (series wiring for constant current driver and parallel wiring for constant voltage drivers.) Failures due to improper installation will void warranty.

Dimensions

Driver



Driver with Enclosure



LED50W12VP-01

CONSTANT VOLTAGE

50W, 1600mA, MLV dimmable, 100-130V AC Input

- Dry location



Performance

Input	Output	Efficiency
Voltage: 100~130V AC, 60 Hz	Voltage: 12V	Power Factor: 0.8 minimum.
	Current: 5000mA Constant	Typical Efficiency: 72%
	Wattage: 50W maximum	

Controls

Dimming Protocols	MLV dimming at 100-130V. Can be used in both dimming & non-dimming systems.
Dimming Range	5%~100%

Recommended Load

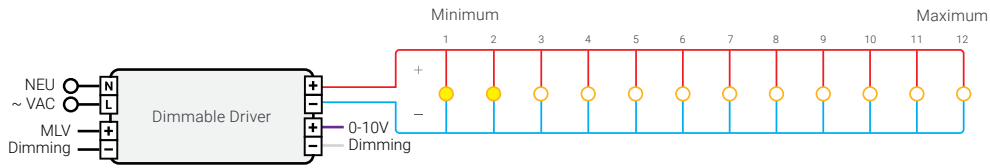
Driver Load	2-12 3W LED fixtures or 2-6 7W LED fixtures (700mA) wired in parallel.
-------------	--

Application

Environments	Dry Location approved.
Ambient Temperature	-20°C (-4°F) minimum.
Case Temperature	60°C (140°F) maximum.
Driver Protection	Short Circuit & Overload protection.
Weight	330g (0.73lb).
Case Material	Plastic.

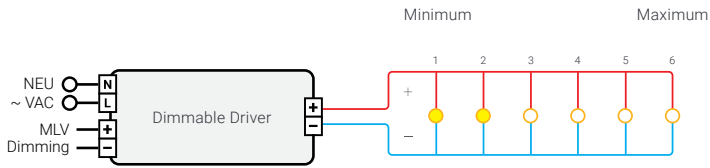
Wiring Diagram

Dimming | For use with 2-12 3W LED lighting fixtures (700mA), wired in parallel.



● 3W LED Lighting Fixture

Dimming | For use with 2-6 7W LED lighting fixtures (700mA), wired in parallel.



● 7W LED Lighting Fixture