

LED50W200iX-01

CONSTANT CURRENT

50W, 200mA, DMX dimming, 120-277V AC Input

○ Damp, and Dry location



Ordering Information

Clear Form

Date : _____ Quantity : _____

Project : _____ Note : _____

Type : _____

Specifications

LED Driver | Example Code: LED50W200iX-01-B

Product	Enclosure
LED50W200iX-01	B
	B driver enclosure

Important Notes

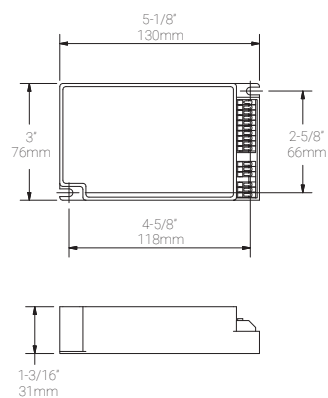
Warranty Notes & Disclaimer

MP Lighting reserves the right, at its sole discretion, at any time and without notice, to make improvements and innovations to any of our products. Consult MP Lighting website for further details.

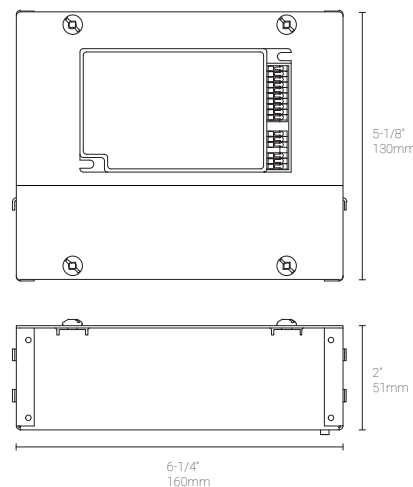
1. Do not install on-off switch at the output (load) side of a constant current LED driver as it will damage the fixture(s) and will void the warranty on both driver and fixture(s).
2. Fixtures must be wired as per MP Lighting's instruction (series wiring for constant current driver and parallel wiring for constant voltage drivers.) Failures due to improper installation will void warranty.

Dimensions

Driver



Driver with Enclosure (EBX-160-ZP)



LED50W200iX-01

CONSTANT CURRENT

50W, 200mA, DMX dimming, 120-277V AC Input

○ Damp, and Dry location



Performance

Input	Output	Efficiency
Voltage: 120~277V AC, 50/60 Hz	Voltage: 120-250V DC	Power Factor: 0.95 minimum.
	Current: 200mA Constant	Typical Efficiency: 86%
	Wattage: 50W maximum	

Controls

Dimming Protocols	0~10V dimming.
Dimming Range	0.1%~100%

Recommended Load

Driver Load Typically used for 2W LED fixtures with the load below: Compatible with RGB-W fixtures.

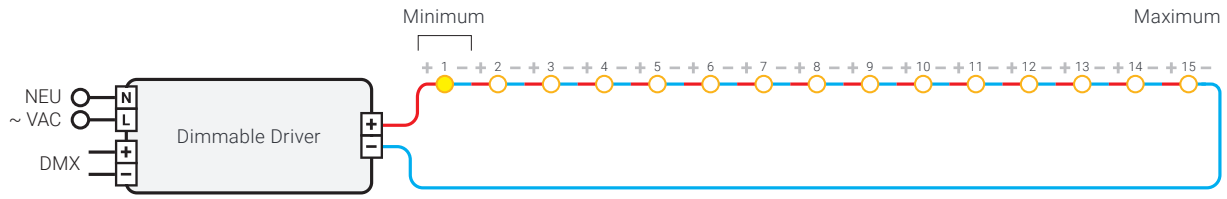
Systems		Load	
Input Voltage	System Dimming Option	Minimum	Maximum
> 120V~277V	Dimming	1	15

Application

Environments	Damp / Dry Location approved.
Ambient Temperature	-20~50°C (-4~122°F) minimum
Case Temperature	80°C (176°F) maximum
Driver Protection	Short Circuit, Overload & Over-voltage protection
Weight	285.5g (0.63lb)
Case Material	Metal

Wiring Diagram

Dimming | For use with 1-15 x 2W LED lighting fixtures (200mA), wired in series



● 200mA LED Lighting Fixture