

# LED50W250iX-01

## CONSTANT CURRENT

50W, 250mA, DMX dimming, 120-277V AC Input

○ Damp, and Dry location



### Ordering Information

Clear Form

Date :	_____	Quantity :	_____
Project :	_____	Note :	_____
Type :	_____		_____

### Specifications

LED Driver | Example Code: LED50W250iX-01-B

Product	Enclosure
LED50W250iX-01	B
	B driver enclosure

### Important Notes

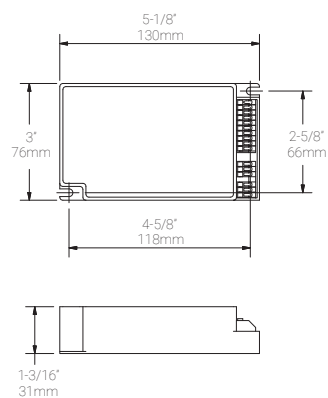
#### Warranty Notes & Disclaimer

MP Lighting reserves the right, at its sole discretion, at any time and without notice, to make improvements and innovations to any of our products. Consult MP Lighting website for further details.

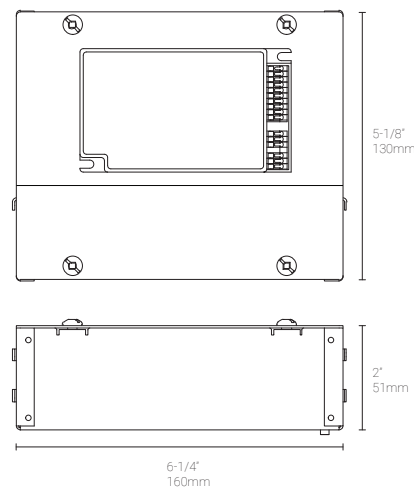
1. Do not install on-off switch at the output (load) side of a constant current LED driver as it will damage the fixture(s) and will void the warranty on both driver and fixture(s).
2. Fixtures must be wired as per MP Lighting's instruction (series wiring for constant current driver and parallel wiring for constant voltage drivers.) Failures due to improper installation will void warranty.

### Dimensions

Driver



Driver with Enclosure (EBX-160-ZP)



# LED50W250iX-01

## CONSTANT CURRENT

50W, 250mA, DMX dimming, 120-277V AC Input

○ Damp, and Dry location



### Performance

Input	Output	Efficiency
<b>Voltage:</b> 120~277V AC, 50/60 Hz	<b>Voltage:</b> 120-250V DC	<b>Power Factor:</b> 0.95 minimum.
	<b>Current:</b> 250mA Constant	<b>Typical Efficiency:</b> 86%
	<b>Wattage:</b> 50W maximum	

### Controls

Dimming Protocols	DMX dimming.
Dimming Range	0.1%~100%

### Recommended Load

Driver Load

Typically used for 2W LED fixtures with the load below: Compatible with RGB-W fixtures.

Systems		Load	
Input Voltage	System Dimming Option	Minimum	Maximum
> 120V~277V	Dimming	1	15

Typically used for 7W LED fixtures with the load below: Compatible with RGB-W fixtures.

Systems		Load	
Input Voltage	System Dimming Option	Minimum	Maximum
> 120V~277V	Dimming	1	5

### Application

Environments	Damp / Dry Location approved.
Ambient Temperature	-20~50°C (-4~122°F) minimum
Case Temperature	80°C (176°F) maximum
Driver Protection	Short Circuit, Overload & Over-voltage protection
Weight	285.5g (0.63lb)
Case Material	Metal

Wiring Diagram

# 50 Watt 4 Output LED Driver (120 to 277V)

Single Driver Wiring Diagram Driver for 2-10 x 3 Watt RGB White or Amber Fixtures ( RGBW (A) )

Notes:

- 3 Watt RGBW (A) LED fixtures only
- Minimum 2 RGBW (A) LED fixtures per output
- Maximum 10 RGBW (A) LED fixtures per output
- Series wiring only
- Dimming with DMX controls
- Consult wiring diagram supplies by driver manufacturer for full details

Warning: Any other wiring than the above may cause the LED's to fail.

