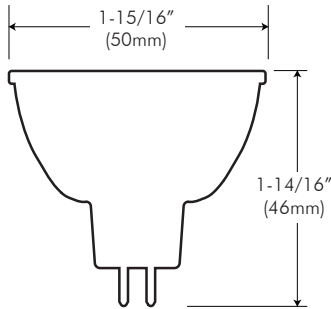


# LWL10W30HSMR16V2 LWL10W30HNMR16V2

10W LED MR16



### Features

- Winner of the 2013 red dot design award.
- Only LED MR16 lamp with Full Visible Spectrum light and 95CRI/95R9.
- Suitable for applications requiring high output from a small lamp source.
- Organized around a single LED light source combined with a single optic and heat sink.
- Compatible with a wide range of fixtures, transformers, and dimmers.
- UL listed for Class 2 (transformers 60W or less) and Non-Class 2 systems (transformers greater than 60W).

<b>Lamp Type</b>	LED
<b>Bulb</b>	MR16
<b>Wattage</b>	10W
<b>Voltage</b>	120V
<b>Base</b>	GU 5.3
<b>Rated Life</b>	35,000 hrs
<b>Beam Angle</b>	10°, 36°
<b>Light Output</b>	400~410lm
<b>Correlated Color Temp. (CCT)</b>	3000K
<b>Unit Package</b>	1 lamp/pkg



Type:  
Project:  
  
Modified:  
  
Quantity:  
Notes:

CODE	WATTAGE	COLOR	BEAM	LAMP	TYPE
<b>LWL</b>	<b>10</b>	<b>W30H</b>		<b>MR16</b>	<b>V2</b>
	10 = 10W	W30H = 3000K high CRI	S = spot (10°) N = narrow flood (36°)		V2 = vivid 2