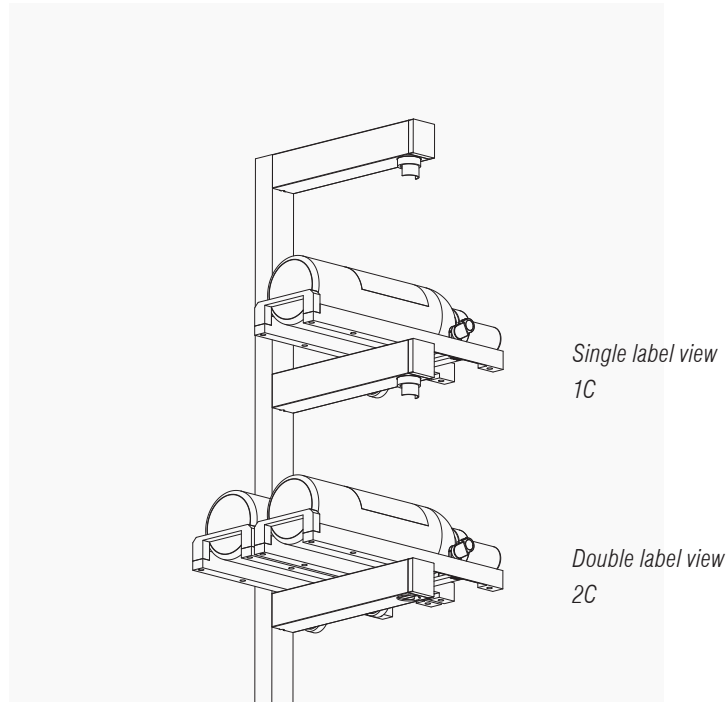
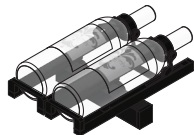
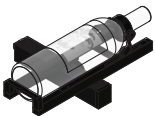


M182

Modular Marine Wine Rack



Cross Bar Options:



M182

Wall Mount Marine Wine Rack

Parts

Support rail RAL-182
Marine LED arm modules
Cross bars
Rail cover
Set-screw & set-screw cover
End caps WR-END (optional)

1) Drill holes and mount support rail to plywood wall or support structure. Recommended spacing every 2' for fasteners (supplied by others).

Mount arm modules by starting from the bottom working up.

2) Insert wire leads.

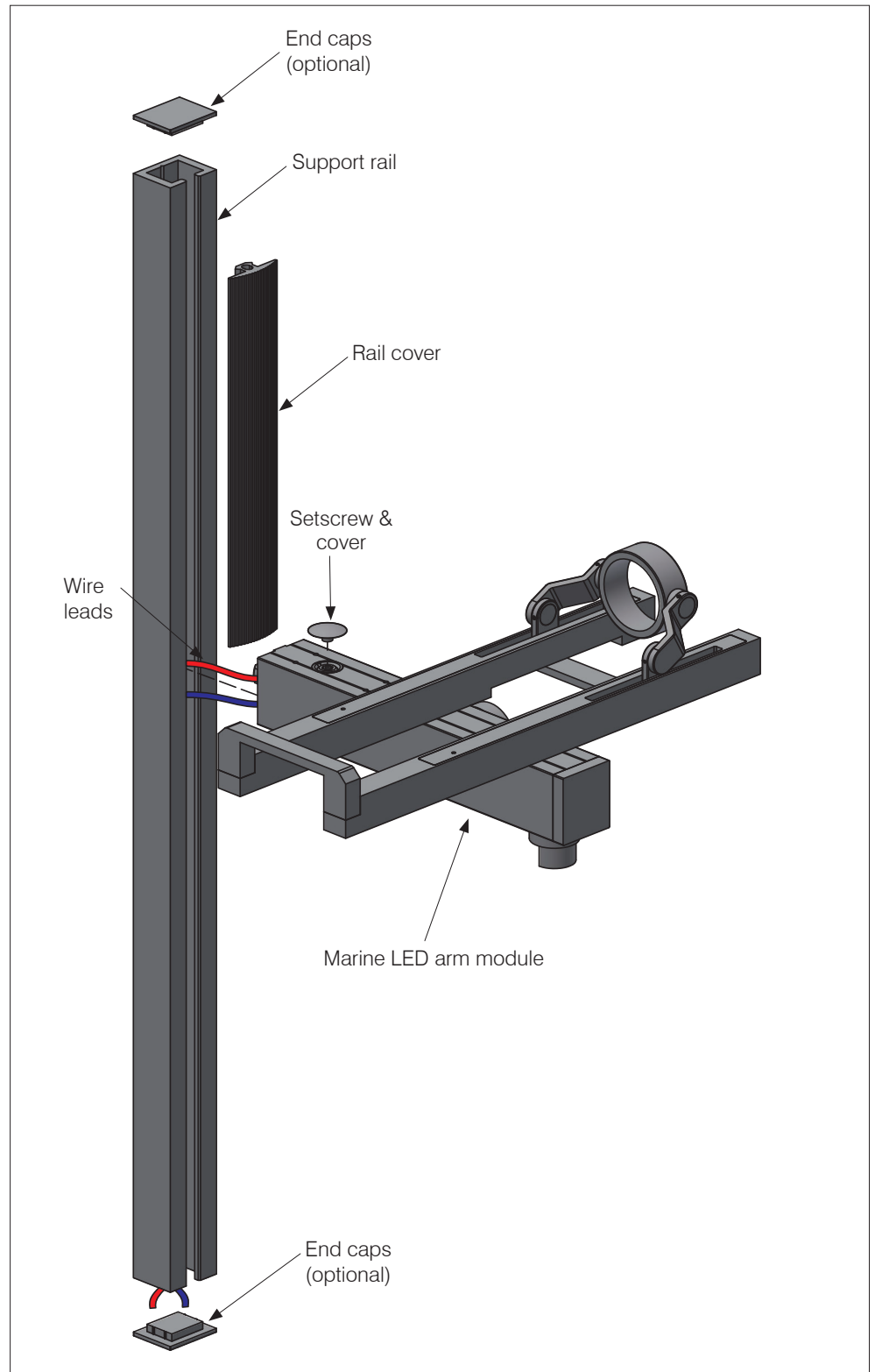
3) Mount arm modules to rail by loosening hex head screw on arm without unscrewing all the way. Once loosened, the anchor head will move outward. Insert arm into slot in the rail and turn arm module 90°.

4) Trim rail cover to appropriate size and fit into place.

5) Install cross bars for holding wine bottle. Refer to following pages for different cross bar options.

6) Connect fixture wires to low voltage wiring (remote LED driver). Wiring can be fed from top, bottom or back of rail.

7) Optional: attach endcaps by pushing into end of the rail. If needed use adhesive to secure end caps.



M182

Wall Mount Marine Wine Rack

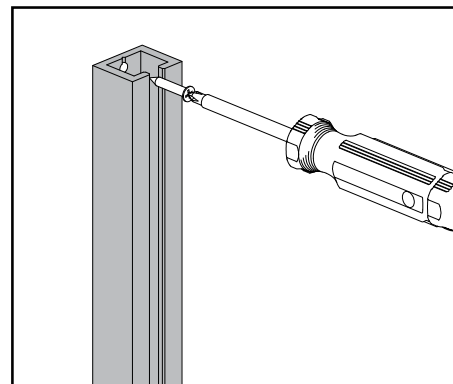
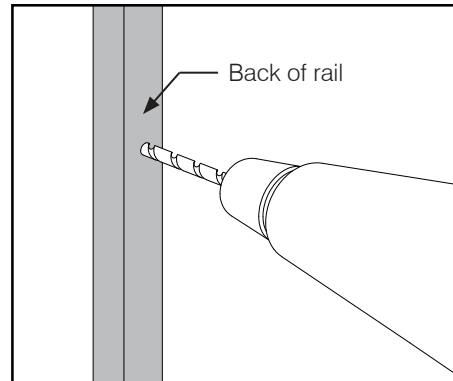
Parts

Support Rail RAL-182
Power Drill (By other)
Screws (By other)
Screw Driver (By other)

Wall Mount

- 1) Drill holes and mount rail to plywood wall or support structure. Recommended spacing every 2' for fasteners (supplied by others).

Mount arm modules by starting from the bottom working up.



M182

Free Standing Marine Wine Rack

Parts

Support rail RAL-182

Mounting bracket WR-MB X 2

Locking piece X 2

Allen key X 1

Mounting screws (not included)

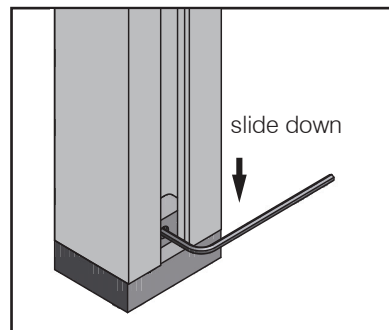
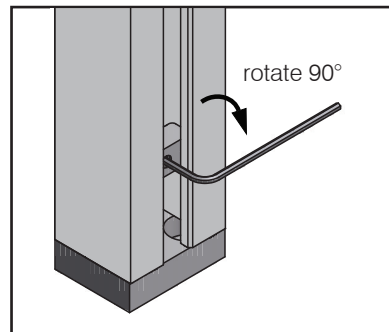
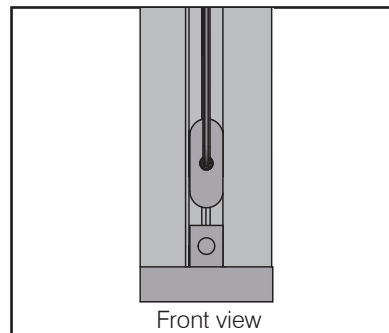
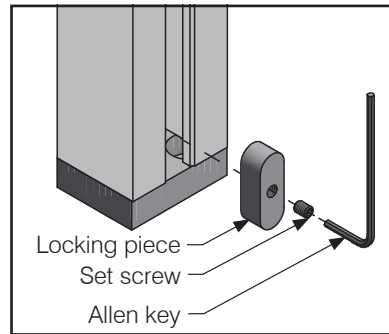
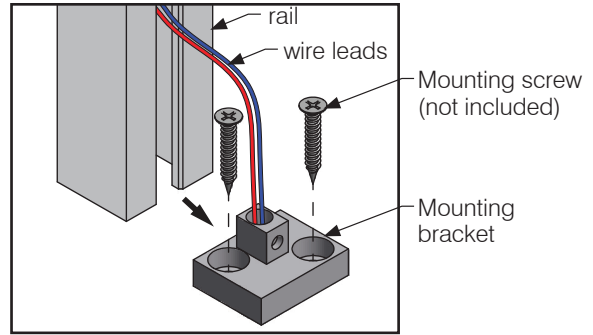
- 1) Position mounting bracket on to the ground and secure it with screws (not supplied). Repeat step for the mounting bracket on the ceiling.

Note: To ensure proper support, it is recommended to mount to a plywood wall or support structure. A plastic or lead anchor is recommended when mounting to concrete.

#8 screws are recommended on the mounting bracket. Screws will not be supplied.

- 2) Once mounting brackets (floor and ceiling) are secured, slide the rail into the mounting brackets. Insert the wire leads into the hole.
- 3) Use allen key on set screw and insert it into the locking piece.
- 4) Insert the locking piece into the slot of the rail.
- 5a) Hold onto the allen key and rotate the locking piece 90°. Slide the locking piece down with the allen key and rotate until set screw is secure.
- 6) Once locking piece is secured onto the mounting bracket, remove the allen key.

Apply same step for the mounting bracket on the ceiling



M182

Mounting the Arms

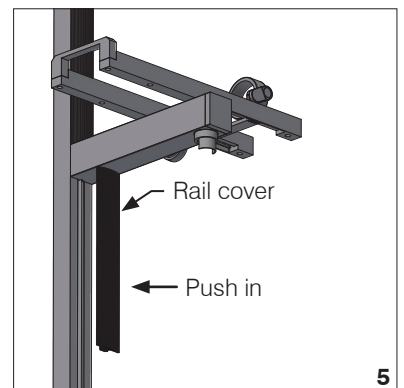
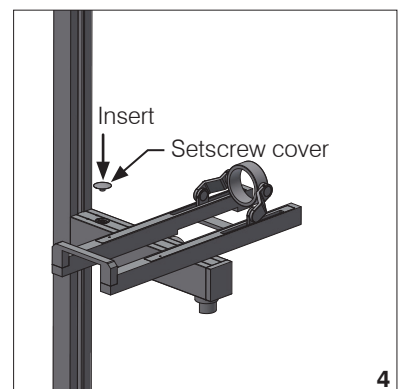
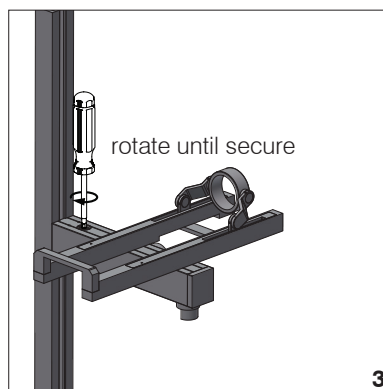
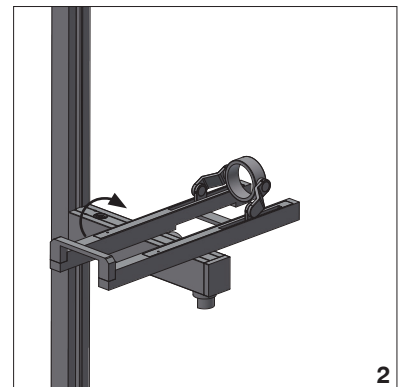
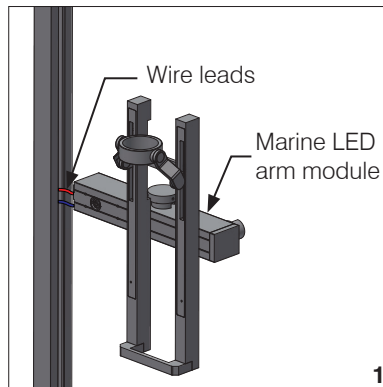
Parts

Support rail RAL-182
Marine LED arm modules
Rail cover
Setscrew cover

- 1) Mount arm modules by starting from the bottom working up.
- 2) Insert wire leads.
- 3) Mount arm modules to rail by loosening hex head screw on arm without unscrewing all the way. Once loosened, the anchor head will move outward. Insert arm into slot in the rail and turn arm module 90°.
- 4) Position to correct height and lock setscrew with Allen key so arm is secure and holds position.
- 5) Cover screw by inserting setscrew cover.
- 6) Trim rail cover to appropriate size to cover rail between bars.

With rail cover facing down, cut with a utility knife using a ruler or straight edge to guide knife.

Push cover into slot in rail until the cover is flush against rail.
- 7) Connect fixture wires to low voltage wiring (remote LED driver). Wiring can be fed from top, bottom or back of rail.



M182

Operating the locking system

Parts

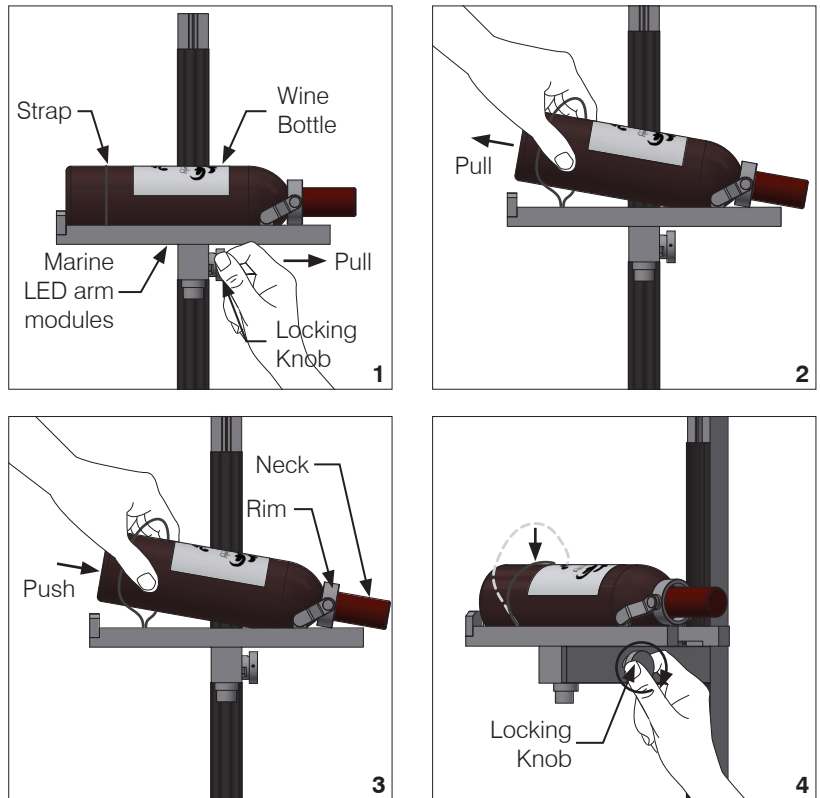
Marine LED arm modules
Wine Bottle (Not Included)

1. Releasing Wine Bottle:

- a) To release the bottle, pull on the Locking Knob to unlock the Strap as shown in Figure 1.
- b) While the Strap is unlocked, tilt and pull the Wine Bottle to take it out as shown in Figure 2.

2. Securing Wine Bottle:

- a) To secure the bottle, insert the Neck of the Bottle into the Rim. Then push the entire Bottle into place as shown in Figure 3.
- b) Rotate the Locking Knob clockwise to tighten the Strap. Keep rotating until the bottle is firmly secure on the crossbar as shown in Figure 4.



M182

Adjust Angled Shroud

Parts

LED arm module

Lens holder

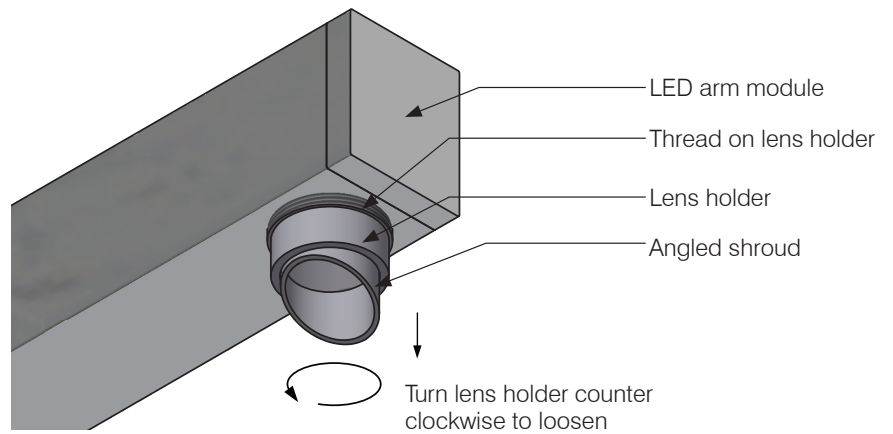
Angled shroud

- 1) Partially unthread the lens holder to loosen from LED fixture.

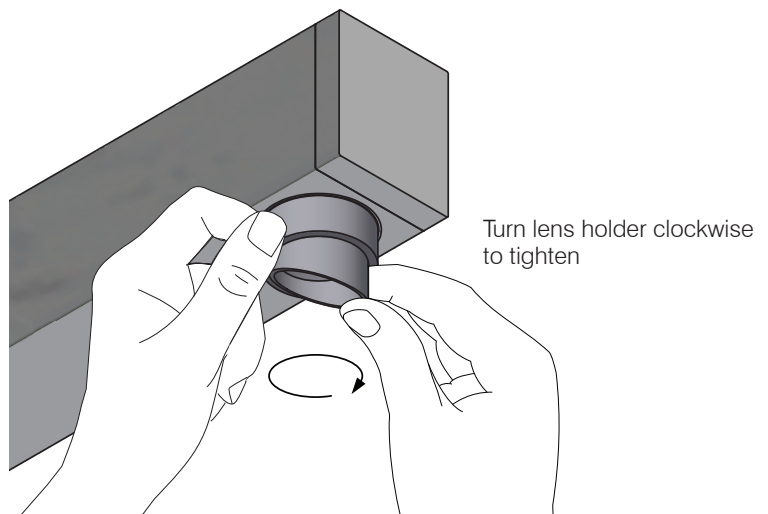
**Lens holder does not need to be completely removed, just loosened.*

- 2) Use one hand to adjust shroud to desired position, while using the other hand to tighten lens holder thread into fixture.

****Warning: do not overtighten this could damage the LED and circuitry.**



**shown with lens holder partially unthreaded.*



**shown with lens holder threaded and shroud in new position.*

IMPORTANT SAFETY INSTRUCTIONS

KEEP THESE INSTALLATION INSTRUCTIONS

(Including General and Additional Markings for Fixtures)

(FOR MP LIGHTING LED LUMINAIRES, CLASS 3402-xx)

General and additional markings

1. For Use Only with Certified/NRTL Driver, Model _____
2. DRY LOCATIONS ONLY

Installation instructions

1. The grounding installation shall be done in accordance with CEC-Part 1.
2. WARNING: RISK OF FIRE OR ELECTRIC SHOCK: DO NOT MAKE OR ALTER ANY OPENINGS IN THE COMPARTMENT OF WIRING OR ELECTRICAL COMPONENTS DURING INSTALLATION. DO NOT ALTER OR ADD BALLASTS, OR ANY OTHER ELECTRICAL COMPONENTS.
3. INSTALLATION AND USE OF THIS FIXTURE MOUNTING ASSEMBLY REQUIRES A PERSON FAMILIAR WITH THE CONSTRUCTION AND OPERATION OF LUMINAIRE ELECTRICAL SYSTEMS AND THE HAZARD INVOLVED, IF NOT QUALIFIED, DO NOT ATTEMPT INSTALLATION. CONTACT A QUALIFIED ELECTRICIAN.
4. TURN OFF POWER BEFORE INSTALLATION.
5. KEEP THESE INSTALLATION INSTRUCTIONS.

CONSIGNES DE SÉCURITÉ IMPORTANTES

CONSERVER CES INSTRUCTIONS D'INSTALLATION

(Dont le général et marques supplémentaires pour les appareils)

(Pour les luminaires LED MP D'ÉCLAIRAGE , CLASS 3402 -xx)

Général et marquages supplémentaires

1. A utiliser uniquement avec Certified / NRTL pilote, modèle _____
2. POUR EMBLEMES SECS SEULEMENT

Les instructions d'installation

1. L'installation de mise à la terre doit être fait en conformité avec CEC Partie 1.
2. AVERTISSEMENT : RISQUE D'INCENDIE OU D'ÉLECTROCUTION : NE PAS FAIRE OU MODIFIER DES OUVERTURES DANS LE COMPARTIMENT DE CÂBLAGE OU DE COMPOSANTS ÉLECTRIQUES LORS DE L'INSTALLATION. NE PAS MODIFIER OU AJOUTER DES BALLASTS, OU AUTRES COMPOSANTS ÉLECTRIQUES
3. CE PRODUIT DOIT ÊTRE INSTALLÉ SELON LE CODE D'INSTALLATION PERTINENT, PAR UNE PERSONNE QUI CONNAÎT BIEN LE PRODUIT ET SON FONCTIONNEMENT AINSI QUE LES RISQUES INHÉRENTS. CONSULTER UN ÉLECTRICIEN QUALIFIÉ.
4. COUPER LE COURANT AVANT L'INSTALLATION.
5. CONSERVEZ CES INSTRUCTIONS.