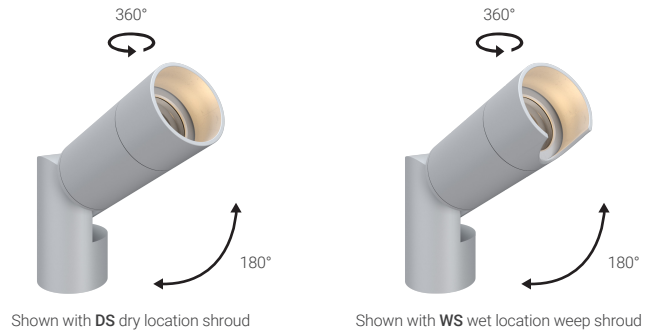


M730

EXTERIOR | INTERIOR

Spotlight | For surface mount on ground, ceilings & walls

- Wet, Damp, and Dry location



Shown with DS dry location shroud

Shown with WS wet location weep shroud

Ordering Information

Clear Form

Date : _____

Project : _____

Type : _____

Quantity : _____

Note : _____

Specifications

Luminaire | Example Code: L730-S-B4-2-W302H-S-ELB-DS-S6

Product	# of Heads	Canopy	Version	CCT & CRI ²	Beam Angle	Accessories (optional)	Shroud	Finish ³
M730	S single D double T triple	B4 ¹ B5	1 1W 2 2W	W22S 2200K 80+ W27H 2700K 90+ W30H 3000K 90+ W35H 3500K 90+ W41H 4100K 90+ AMB amber LED	S spot 12° N narrow flood 30°	ELB eggcrate louver	DS dry location shroud WS wet location weep shroud	Aluminum Finishes: MA matte clear anodized BA black anodized BZ bronze powder coated Stainless Steel Finish: S6 stainless steel 316

System Components (Ordered Separately)

Remote Driver : _____

Control System : _____

On/Off | Dimming ELV or 0-10 dimming
 Other options (consult factory) TRIAC/MLV, DMX, DALI, Casambi, PoE

Important Notes

Specification

- B4 canopy only available with single spotlight.
- 3-step MacAdam (2-step MacAdam for 2700K & 3000K)
- Refer to Appendix or MP Lighting website for complete look of luminaire with different finish options. S6 (stainless steel 316) is only available with B4 canopy.

Warranty Notes & Disclaimer

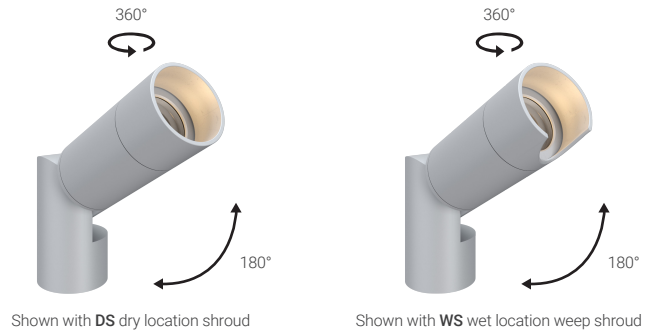
Malfunction and damage to product due to incompatible dimming system or misuse will not be covered under warranty. Consult MP Lighting for recommended drivers. If the fixture has an option to be installed with a dimming control system, consult a dimming system manufacturer with minimum load before installing. MP Lighting reserves the right, at its sole discretion, at any time and without notice, to make design changes to any of our products. Consult MP Lighting website for most updated documentation.

M730

EXTERIOR | INTERIOR

Spotlight | For surface mount on ground, ceilings & walls

- Wet, Damp, and Dry location



Performance

Wattage	Forward Current	Power Consumption Budget per fixture (including driver)	LED output (Source)	Fixture Output (Delivered)
1W	350mA	1.3W	110 lm	47-56 lm
2W	700mA	2.6W	220 lm	90-99 lm

Application

Environment	Wet / Damp / Dry Location approved. IP 66. Wet location weep shroud (WS) can be specified where proper drainage for water in shroud is required.
Mounting	B4: Mounts to standard 1-1/2" octagonal box

Electrical

Power Supplies	Remote LED drivers (converter driver from constant voltage output to constant current output, 350mA to 700mA): Fixtures to be wired in series.
Control	On/off control Dimming: ELV or 0-10V dimming with appropriate drivers Other options (consult factory): TRIAC/MLV, DMX, DALI, Casambi, Power over Ethernet

Luminaire Construction

LED Light Source	Light Quality: Colour Rendering Index (CRI) - Ra=90+ (80+ for 2200K) R9=50+ Colour Consistency: 2-step MacAdam (3-step MacAdam for 2200K & 4100K)
Standard Compliance	✓ADA-compliant ✓WELL standard – Feature 58: Color Quality
Weight	N/A
Material	Fixture: machined marine-grade aluminum or machined stainless steel 316
Supplied with	Standard installation housing: Comes with universal crossbar, mounting screws (2), and driver. Optional: waterproof (IP 66) enclosure box with 1 or 2 cable glands, 1 vent, and aluminum plate.
Warranty & LED Life	5 years limited warranty Estimated useful life of LED is 50,000 hours.

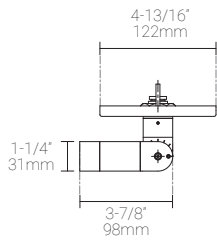
Ordered Separately

System Components	Enclosure box: remote driver Please consult factory or visit Recommended Drivers for available driver options. Please consult factory or visit Marine Enclosure Boxes for available enclosure box options.
-------------------	---

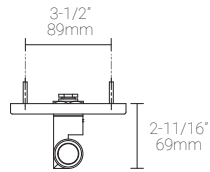
Mounting Options & Dimensions

LED Fixture Dimensions (shown with single spotlight and B4 canopy)

Fixture



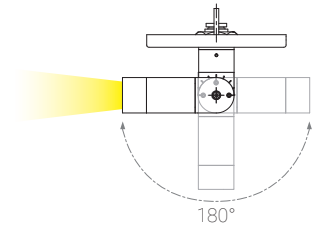
Front View



3D View

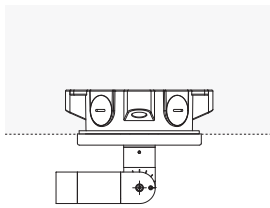


Beam

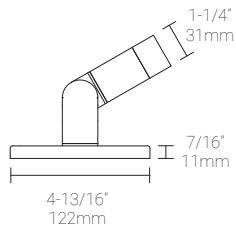


Ground Installation (shown with B4 canopy)

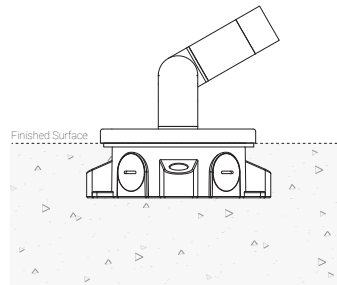
Fixture



Fixture with Back Box: Complete Concrete Installation



Fixture with Back Box & MK3: Complete Concrete Installation

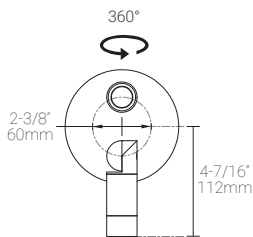


* Back box sold separately. Model#: EBX-OCT1

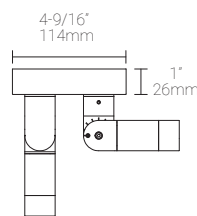
Mounting Options & Dimensions

LED Fixture Dimensions (shown with double spotlight and B5 canopy)

Top View



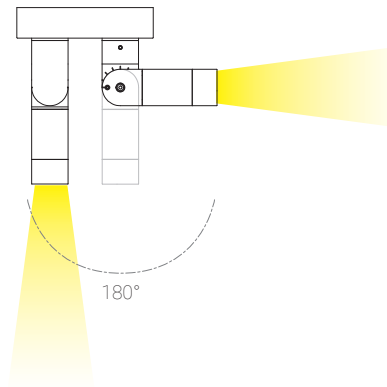
Side View



3D View

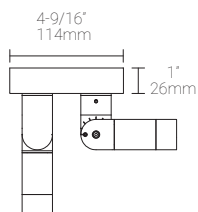


Beam

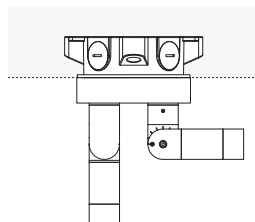


Options for Surface Mount (Walls & Ceiling) shown with MP Lighting back box (EBX-OCT1)

Fixture with B5 canopy



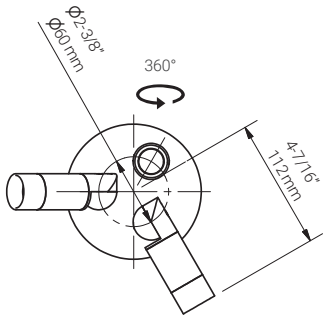
Ceiling (surface) Installation with B5 canopy & Back Box



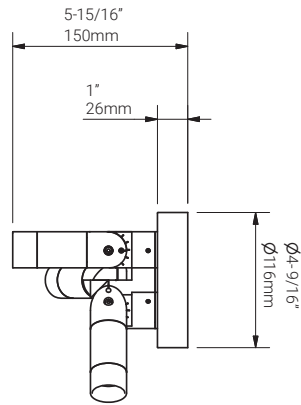
Mounting Options & Dimensions

LED Fixture Dimensions (shown with double spotlight and B5 canopy)

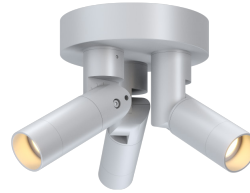
Top View



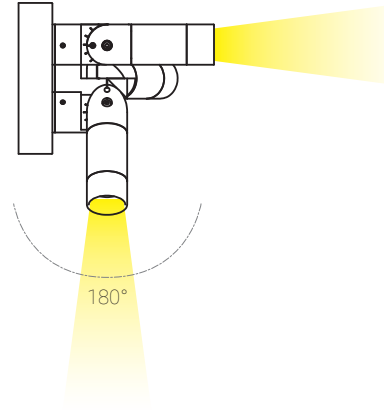
Side View



3D View

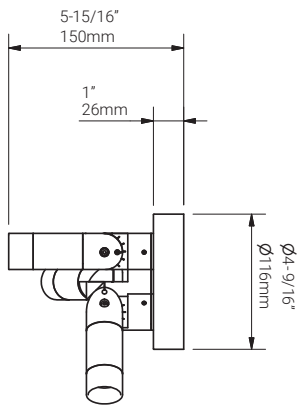


Beam

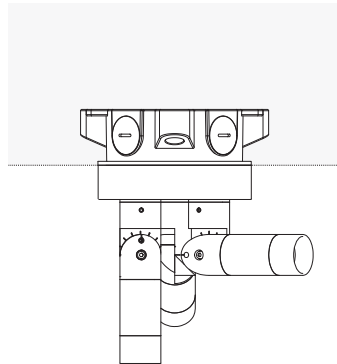


Options for Surface Mount (Walls & Ceiling) shown with MP Lighting back box (EBX-OCT1)

Fixture with B5 canopy

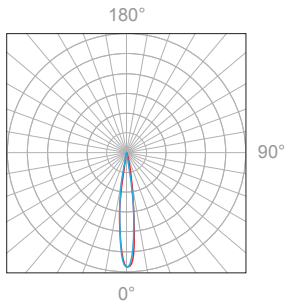


Ceiling (surface) Installation with B5 canopy & Back Box



1W, 3000K, 90+ CRI

Polar Candela Distribution



Beam Width: 12°

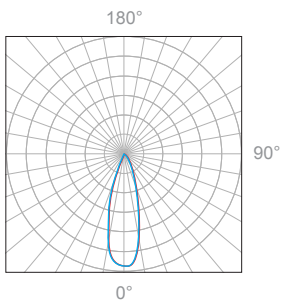


Illuminance at a Distance

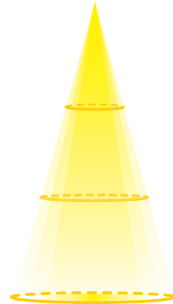
Distance		Center Beam fc	Beam Width			
1.0ft	0.30m	333fc	0.3ft	0.09m	0.3ft	0.09m
2.0ft	0.61m	94fc	0.7ft	0.21m	0.7ft	0.21m
3.0ft	0.91m	41fc	1.0ft	0.30m	1.0ft	0.30m
4.0ft	1.22m	22fc	1.3ft	0.40m	1.3ft	0.40m
5.0ft	1.52m	15fc	1.7ft	0.52m	1.7ft	0.52m
6.0ft	1.83m	10fc	2.1ft	0.64m	2.1ft	0.64m

Delivered Lumen: 65 lm
 ■ Vertical Beam Spread: 19.4°
 ■ Horizontal Beam Spread: 19.4°

Polar Candela Distribution



Beam Width: 30°



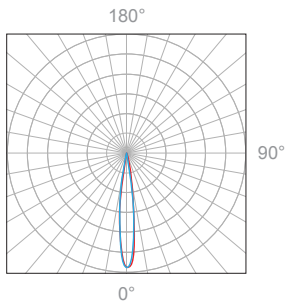
Illuminance at a Distance

Distance		Center Beam fc	Beam Width			
1.0ft	0.30m	209fc	0.5ft	0.15m	0.5ft	0.15m
2.0ft	0.61m	56fc	1.0ft	0.30m	1.0ft	0.30m
3.0ft	0.91m	26fc	1.5ft	0.46m	1.5ft	0.46m
4.0ft	1.22m	14fc	2.0ft	0.61m	2.0ft	0.61m
5.0ft	1.52m	9fc	2.5ft	0.76m	2.5ft	0.76m
6.0ft	1.83m	7fc	3.1ft	0.95m	3.1ft	0.95m

Delivered Lumen: 75 lm
 ■ Vertical Beam Spread: 28.5°
 ■ Horizontal Beam Spread: 28.7°

2W, 3000K, 90+ CRI

Polar Candela Distribution



Beam Width: 12°

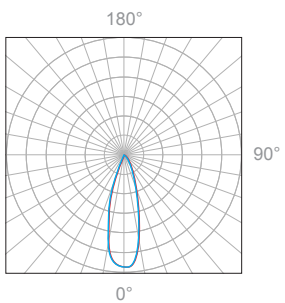


Illuminance at a Distance

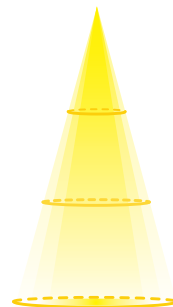
Distance		Center Beam fc	Beam Width			
1.0ft	0.30m	593fc	0.3ft	0.09m	0.3ft	0.09m
2.0ft	0.61m	166fc	0.7ft	0.21m	0.7ft	0.21m
3.0ft	0.91m	70fc	1.0ft	0.30m	1.0ft	0.30m
4.0ft	1.22m	40fc	1.3ft	0.40m	1.3ft	0.40m
5.0ft	1.52m	26fc	1.7ft	0.52m	1.7ft	0.52m
6.0ft	1.83m	18fc	2.0ft	0.61m	2.0ft	0.61m

Delivered Lumen: 129 lm
 ■ Vertical Beam Spread: 19.0°
 ■ Horizontal Beam Spread: 19.0°

Polar Candela Distribution



Beam Width: 30°



Illuminance at a Distance

Distance		Center Beam fc	Beam Width			
1.0ft	0.30m	384fc	0.5ft	0.15m	0.5ft	0.15m
2.0ft	0.61m	104fc	1.0ft	0.30m	1.0ft	0.30m
3.0ft	0.91m	45fc	1.5ft	0.46m	1.5ft	0.46m
4.0ft	1.22m	25fc	2.0ft	0.61m	2.0ft	0.61m
5.0ft	1.52m	16fc	2.5ft	0.76m	2.5ft	0.76m
6.0ft	1.83m	12fc	3.0ft	0.91m	3.0ft	0.91m

Delivered Lumen: 149 lm
 ■ Vertical Beam Spread: 28.3°
 ■ Horizontal Beam Spread: 28.3°

Appendix

Aluminum Finishes | Single spotlight | B4



MA matte clear anodized



BA black anodized



BZ bronze powder coated

Stainless Steel Finishes | Single spotlight | B4



S6 stainless steel 316

Aluminum Finishes | Double spotlight | B5



MA matte clear anodized



BA black anodized



BZ bronze powder coated

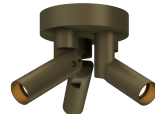
Aluminum Finishes | Triple spotlight | B5



MA matte clear anodized



BA black anodized



BZ bronze powder coated

Shroud Options

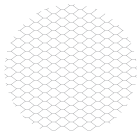


DS dry location shroud



WS wet location weep shroud

Accessories



ELB eggcrate louver, black