

P96SRB

INTERIOR

Pendant | For ceilings

● Dry location



Ordering Information

Clear Form

Date : _____

Quantity : _____

Project : _____

Note : _____

Type : _____

Specifications

Luminaire | Example Code: P96-SRB-S-C72-MA

Product	Mounting	Shade Size	Cord/Stem Length ¹	Finish ²
P96	SRB	S		
	SR black single rail system	S small: 6-3/8" (162mm)	Cord: C72 72" (1830mm) CX custom length Stem: S6 6" (152mm) SX custom length	Aluminum Finishes: MA matte clear anodized BK black powder coated

System Components (Ordered Separately)

Remote Driver : _____

* Consult MP Lighting Website or Factory.

Important Notes

Specification

- 72" (1830mm) cord or 6" (152mm) stem is included. Consult factory for custom cord/stem length.
- Refer to Appendix or MP Lighting website for complete look of luminaire with different finish options.

Warranty Notes & Disclaimer

Malfunction and damage to product due to incompatible dimming system or misuse will not be covered under warranty. Consult MP Lighting for recommended drivers. If the fixture has an option to be installed with a dimming control system, consult a dimming system manufacturer with minimum load before installing. MP Lighting reserves the right, at its sole discretion, at any time and without notice, to make design changes to any of our products. Consult MP Lighting website for most updated documentation.

P96SRB

INTERIOR

Pendant | For ceilings

- Dry location



Application

Environment	Dry Location approved. IP 20.
Mounting	Rotatable and easy to position. Designed for use on MP Single Rail System (sold separately).

Luminaire Construction

LED Light Source	12V lamp (not included) Recommended: MR16
Weight	1.87lbs (0.85kg)
Material	Fixture & Hardware: machined marine-grade aluminum
Supplied with	Standard installation housing: Comes with a canopy, a universal crossbar, two screws (depending on selected canopy option), and an allen key. Cord/stem: 6' (1830mm) cord or 6" (152mm) stem is included. Consult factory for custom cord/stem length.
Warranty & LED Life	5 years limited warranty Estimated useful life of LED is 50,000 hours.

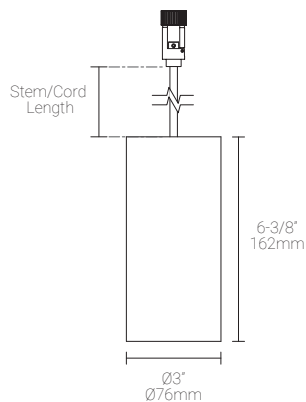
Ordered Separately

System Components	Power supplies: remote driver Please consult factory or visit Recommended Drivers for available driver options.
-------------------	---

Mounting Options & Dimensions

LED Fixture Dimensions

Fixture



3D View



Beam

