

PIPE-C-CORNER

EXTERIOR

PVC Pipe Connector | For landscaping

- Wet, Damp, and Dry location



Ordering Information

Clear Form

Date : _____

Quantity : _____

Project : _____

Note : _____

Type : _____

Specifications

PVC Pipe Connector | Example Code: PIPE-C-CORNER

Product ¹

PIPE-C-CORNER

System Components (Ordered Separately)

Back Box : _____

* Please refer to Appendix for more information.

Important Notes

Specification

- Connects PIPE-C's & PIPE-C-1's.

Application

Environment	Dry / Damp / Wet Location approved.
Mounting	Designed to be mounted to electrical and/or landscape pipes. Field cuttable. Compatible with couplings, elbows, t-junction fittings for standard 1-1/2" PVC pipe (outer diameter 1-7/8", schedule 40, 80 and furniture grade pvc pipes.
Compatible Fixtures	In-grade: L01, L08, L300, L304, L312, L320 & L324. Spotlight: L930 B2 See pg.3 for product images of compatible fixtures. See pg.4-5 for application images of compatible fixtures.

Product Construction

Weight	NA
Material	White PVC, UV stabilized

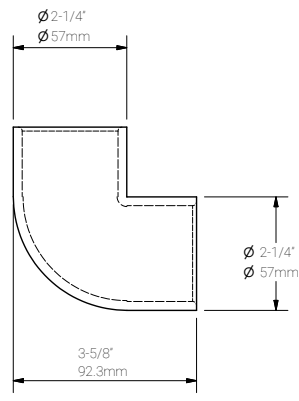
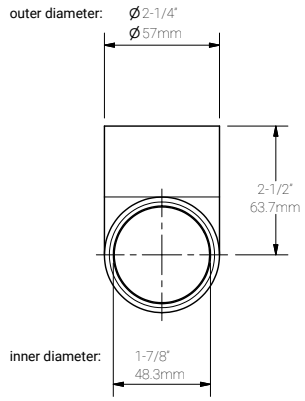
Mounting Options & Dimensions

Pipe Corner Dimensions

Diameter

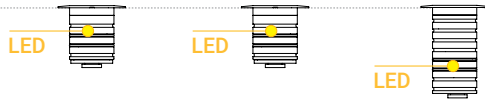
Length

3D View



Compatible Fixtures

In-grade



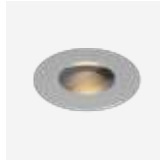
Regular Beam



L01 ●



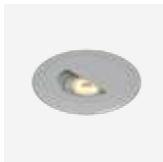
L304 ●



L312 ●



Half-Shielded



L300 ●



Single Aperture



L08-S ●



Double Aperture



L08-D ●

Spotlights



L930 with B2 ●
(Schedule 40 Pipe)

Shroud Options



DS - Dry Location
Shroud



WS - Wet Location
Shroud

In-grade Installation

L01 | Landscape | During Installation



L01 | Landscape | Complete Installation



L01 | Stairs/Wall | During Installation



L01 | Stairs/Wall | Complete Installation



L01 | Stairs/Ground | During Installation



L01 | Stairs/Ground | Complete Installation



* Images will appear darker when printed.

Spotlight Installation

L930 B2 | Landscape | During Installation



L930 B2 | Landscape | Complete Installation



** Images will appear darker when printed.*