

SDF041

INTERIOR

Dual Circuit | Rail standoff

- Dry location



Ordering Information

Clear Form

Date : _____

Project : _____

Type : _____

Quantity : _____

Note : _____

Specifications

Rail standoff | Example Code: SDF041-4-S-MC

Product	Offset	Swivel (optional)	Finish
SDF041	4 4" (102mm)	S swivel	MC matte chrome
	7 7" (178mm)		BN brushed nickel
	X custom		

Important Notes

Specification

1. Refer to Appendix or MP Lighting website for track system with different finish options.

Application

Environment	Dry Location approved. IP 20.
Mounting	For Dual Circuit Wall Mounting. Suggested spacing: 1" (305mm) from ends and 3" (914mm) on center.
Compatible Fixtures	L225M, L72, L73, P02, P11, P96, P96L, X01, X06, X31, X42, X45, X51.

Electrical

Electrical	N/A
------------	-----

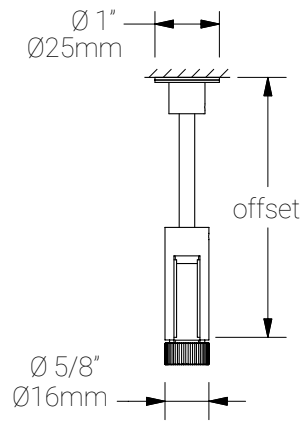
Construction

Weight	N/A
Material	Machined aluminum with electroplated finish.

Mounting Options & Dimensions

Dimensions

Side View



3D View



Appendix



MC matte chrome