

# TLC010i

## DIMMER MODULE

60W, 5000mA, DC/DC dimming controller, 12V DC Output OR  
100W, 4100mA, DC/DC dimming controller, 24V DC Output

○ Damp and Dry location



### Ordering Information

Clear Form

Date :	_____	Quantity :	_____
Project :	_____	Note :	_____
Type :	_____		_____

### Specifications

LED Driver | Example Code: TLC010i-B

Product	Enclosure
TLC010i	B
	B driver enclosure

### Important Notes

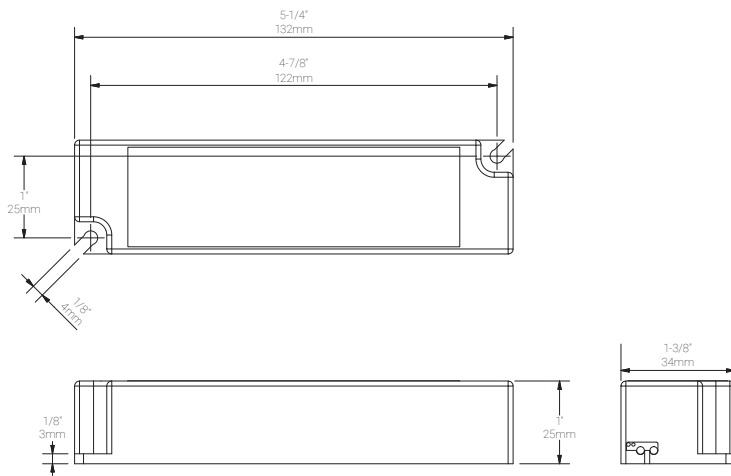
#### Warranty Notes & Disclaimer

MP Lighting reserves the right, at its sole discretion, at any time and without notice, to make improvements and innovations to any of our products. Consult MP Lighting website for further details.

1. Do not install on-off switch at the output (load) side of a constant current LED driver as it will damage the fixture(s) and will void the warranty on both driver and fixture(s).
2. Fixtures must be wired as per MP Lighting's instruction (series wiring for constant current driver and parallel wiring for constant voltage drivers.) Failures due to improper installation will void warranty.

### Dimensions

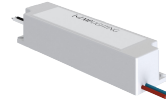
Driver



# TLC010i

## DIMMER MODULE

60W, 5000mA, DC/DC dimming controller, 12V DC Output OR  
100W, 4100mA, DC/DC dimming controller, 24V DC Output



○ Damp and Dry location



### Performance

Input	Output	Efficiency
<b>Voltage:</b> 12V DC / 24V DC	<b>Voltage:</b> 12V DC / 24V DC <b>Current:</b> 5000 or 4100 mA <b>Wattage:</b> 60W / 100W	<b>Power Factor:</b> - <b>Typical Efficiency:</b> -

### Controls

Dimming Protocols	PWM dimming, 0-10V dimmable. Dimming module.
Dimming Range	5%~100%

### Recommended Load

Driver Load

Driver load depends on driver.

Systems		Load	
Input Voltage	System Dimming Option	Minimum	Maximum
120V only	Dimming	x	x
	Non- Dimming	x	x
> 120V~277V	Dimming	x	x
	Non- Dimming	x	x

### Application

Environments	Damp and Dry Location approved.
Ambient Temperature	40°C (104°F) maximum.
Case Temperature	-
Driver Protection	Short Circuit & Overload protection.
Weight	136g (0.30lb).
Case Material	Plastic.