



Remote 120V Magnetic Transformer

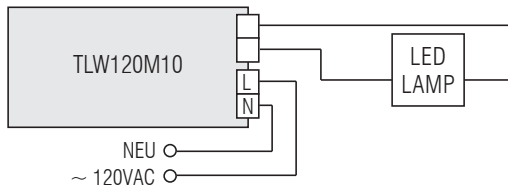
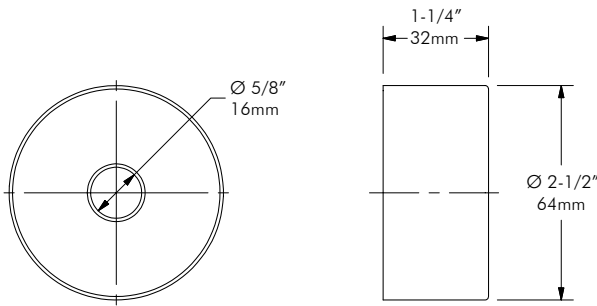
# TLW120M10

## SPEC SHEET

**Features:**

- Hard wired remote transformer.
- Dimmable with Magnetic Low Voltage Dimmers (i.e. Lutron Diva).

AC Input Voltage:	120V, 60Hz
AC Output Voltage:	12V
Output Wattage:	10W Max
Power Factor:	95% Min
Typical Efficiency:	95%
Over Current Protection:	Yes
Overload Protection:	Yes
Dimming Function:	With Magnetic Low Voltage Dimmers (not included)
Operating Temperature:	-10 ~ 50°C (14 ~ 122°F)
Maximum Case Temperature:	70°C (158°F)
Humidity (Non-Condensing):	5% ~ 95%
Case Material:	Black Plastic Casing
Weight:	1.8kg (4 lbs)
Rated:	Dry Locations



Max. load  
1 fixture  
9 watts

**LED LAMP** = LED Lamps Only Max: 9 Watt  
Not for use with Halogen lamps

- Mounting: Rotatable and easy to position. Fits into a standard octagon box.
- Use: Suitable for use with 9 Watt Max, LED type MR16's. Check lamp manufacturers specifications for compatibility.

**Note: LED type MR16's must use 12Volt magnetic transformers or 12V DC LED drivers, not included. Standard electronic, low voltage transformers may cause lamps to flicker.**

ORDER CODE

**TLW120M10**

[ Project ]

[ Quantity ]

[ Notes ]