

TLW120MT150

REMOTE 120V MAGNETIC TRANSFORMER
150W max, dimmable, 120V AC Input

● Dry location



Ordering Information

Clear Form

Date :	_____	Quantity :	_____
Project :	_____	Note :	_____
Type :	_____		_____

Specifications

Magnetic transformer | Example Code: TLW120MT150

Product

TLW120MT150

Important Notes

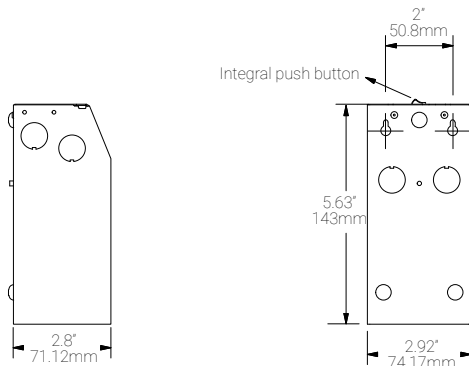
Warranty Notes & Disclaimer

MP Lighting reserves the right, at its sole discretion, at any time and without notice, to make improvements and innovations to any of our products. Consult MP Lighting website for further details.

1. Do not install on-off switch at the output (load) side of a constant current LED driver as it will damage the fixture(s) and will void the warranty on both driver and fixture(s).
2. Fixtures must be wired as per MP Lighting's instruction (series wiring for constant current driver and parallel wiring for constant voltage drivers.) Failures due to improper installation will void warranty.

Dimensions

Transformer Dimensions



TLW120MT150

REMOTE 120V MAGNETIC TRANSFORMER
150W max, dimmable, 120V AC Input

● Dry location



Performance

Input	Output	Efficiency
Voltage: 120V AC, 60 Hz	Voltage: 12V DC	Power Factor: 0.95 minimum.
	Wattage: 150W maximum	Typical Efficiency: 95%

Controls

Dimming Protocols	Dimmable with magnetic low voltage dimmers (not included).
Dimming Range	-

Recommended Load

Driver Load	Maximum load depends on wattage of fixture.
-------------	---

Application

Environments	Dry Location approved.
Ambient Temperature	-10°C (-4°F) minimum, 50°C (122°F) maximum.
Case Temperature	70°C (158°F) maximum
Driver Protection	Short Circuit & Overload protection
Weight	1.8kg (4lbs)
Case Material	Black Steel Casing

Wiring Diagram

