

Remote 277V Magnetic Transformer

TLW277MT050-01

SPEC SHEET

Features:

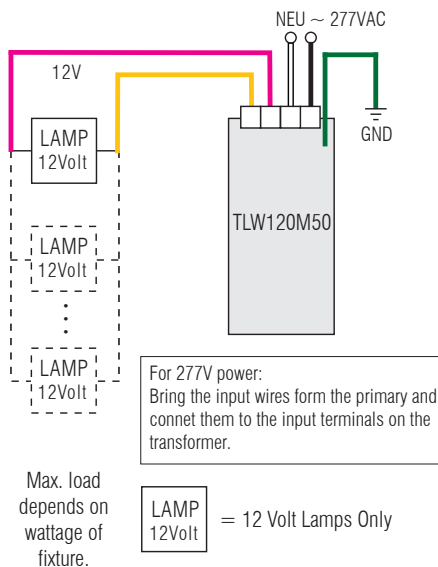
- Hard wired remote transformer.
- Includes primary and secondary self-reset circuit breakers.
- Indoor compliant.

AC Input Voltage:	277VAC, 60Hz
AC Output Voltage:	12V
Output Wattage:	50W Max
Short Circuit Protection:	Yes
Overload Protection:	Yes
Ambient Temperature:	40°C Max (104°F Max)
Case Temperature:	70°C Max (158°F Max)*
Case Material:	Steel
Weight:	0.91kg (2 lbs)
Approval:	Dry & Damp ETL Listed (Class 2).



*Enclosure temperature does not exceed 70°C in a 40°C ambient, fully loaded.

Note: Consult factory for wiring length and details.



ORDER CODE

TLW277MT050-01

[Project]

[Quantity]

[Notes]



t 604.708.1184 f 604.708.1185 www.mplighting.com
16 West 4th Avenue, Vancouver BC V5Y 1G3, Canada