

# TLW277MT150-01

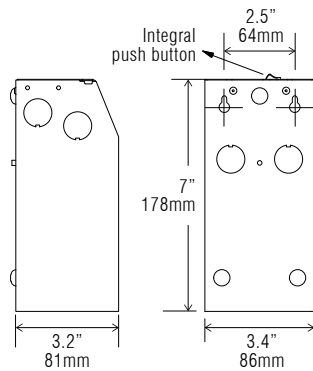
**Features:**

- Hard wired remote transformer.
- Dimmable with Magnetic Low Voltage Dimmers (ie. Lutron Diva).  
\*Not included
- Integral push button circuit breaker.

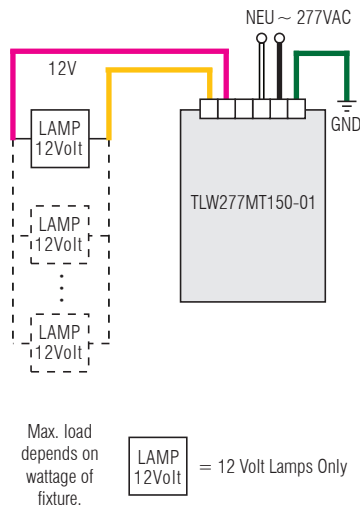
<b>AC Input Voltage:</b>	277V, 60Hz
<b>AC Output Voltage:</b>	12V
<b>Output Wattage:</b>	150W Max.
<b>Power Factor:</b>	95% Min
<b>Typical Efficiency:</b>	95%
<b>Short Circuit Protection:</b>	Yes
<b>Overload Protection:</b>	Yes
<b>Dimming Function:</b>	With Magnetic Low Voltage Dimmers (not included)
<b>Operating Temperature:</b>	-10~50°C (14~122°F)
<b>Max. Case Temperature:</b>	70°C (158°F)
<b>Humidity (non-condensing):</b>	5%~95%
<b>Case Material:</b>	Black steel casing
<b>Weight:</b>	1.8kg (4 lbs)
<b>Approval:</b>	Dry Locations. UL Listed.



**Dimension:**



**Wiring:**



\* Consult factory for wiring length and details.

Order Code

**TLW277MT150-01**

**Type:**

**Project:**

**Modified:**

**Quantity:**

**Notes:**