

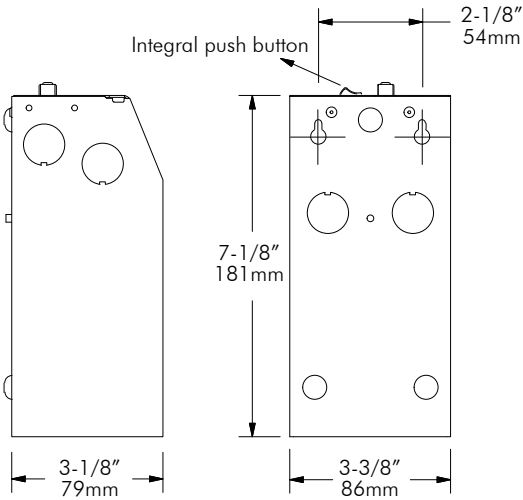
TLW277MT300

SPEC SHEET

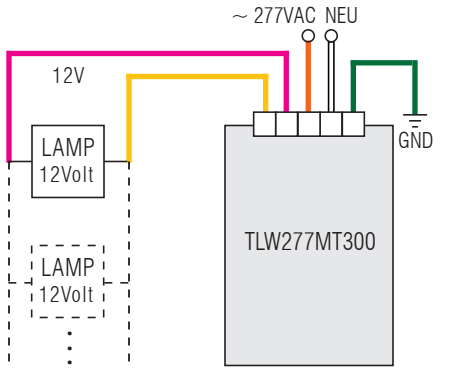


Features:

- Hard wired remote transformer.
- Dimmable with Magnetic Low Voltage Dimmers (i.e. Lutron Diva).
- Integral push button circuit breaker.



AC Input Voltage:	277V, 60Hz
AC Output Voltage:	12V
Output Wattage:	300W Max
Power Factor:	95% Min
Typical Efficiency:	93%
Short Circuit Protection:	Yes
Overload Protection:	Yes
Dimming Function:	With Magnetic Low Voltage Dimmers (not included)
Operating Temperature:	-10 ~ 50°C (14 ~ 122°F)
Maximum Case Temperature:	70°C (158°F)
Humidity (Non-Condensing):	5% ~ 95%
Case Material:	Black Steel Casing
Weight:	3.2kg (7 lbs)
Rated:	Dry Locations
Approval:	UL Listed



* Consult factory for maximum wiring length.

For 277V power:
Bring the input wires from the primary and connect them to the orange and white on the transformer.

Max. load depends on wattage of fixture.

LAMP 12Volt = 12 Volt Lamps Only

Ordering:

TLW277MT300

code

[Project]

[Quantity]

[Note]

