

# U08

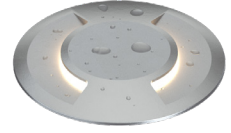
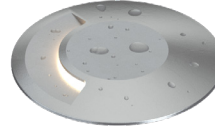
## UNDERWATER: CHLORINATED WATER & FRESHWATER

In-grade | Submersed under water up to 10' (3m) depth.

- Underwater/Swimming Pool/Natorium Certified

CSA - CLASS 3425 09 -Submersible

CSA - CLASS 3425 89 -Submersible - Certified to US Standards



### Ordering Information

Clear Form

Date :

Quantity :

Project :

Note :

Type :

### Specifications

Luminaire | Example Code: U08-2-W30H-S-MK1-B-12-S6

Product	Version	CCT & CRI <sup>1</sup>	Aperture	Mounting Kit <sup>2</sup> (optional)	Flange & Back Box <sup>3</sup>	Lead Length <sup>4</sup>	Trim Finish
<b>U08</b>							<b>S6</b>
	1 1W 2 2W	<b>W22H</b> 2200K 90+ <b>W27H</b> 2700K 90+ <b>W30H</b> 3000K 90+ <b>W35H</b> 3500K 90+	<b>S</b> single <b>D</b> double	<b>MK1</b> vertical surface	<b>B</b> back box <b>F</b> flange only	<b>15</b> 15' (4572mm) <b>X</b> custom	<b>S6</b> stainless steel 316

### System Components (Ordered Separately)

Pool-certified power supply :

\* Consult MP Lighting Website or Factory.

### Order Guide Important Notes

#### Specification

1. Refer to pg.2 - for Colour Consistency details.
2. Mounting kit is ordered separately. Please consult factory.
3. For components included, refer to Luminaire Construction section.
4. Custom lengths available by 1' increments.

#### Warranty Notes & Disclaimer

Malfunction and damage to product due to incompatible dimming system or misuse will not be covered under warranty. Consult MP Lighting for recommended drivers. If the fixture has an option to be installed with a dimming control system, consult a dimming system manufacturer with minimum load before installing. MP Lighting reserves the right, at its sole discretion, at any time and without notice, to make design changes to any of our products. Consult MP Lighting website for most updated documentation.

# U08

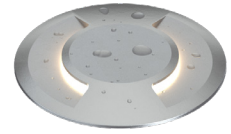
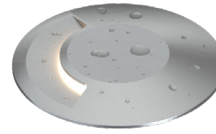
## UNDERWATER: CHLORINATED WATER & FRESHWATER

In-grade | Submersed under water up to 10' (3m) depth.

- Underwater/Swimming Pool/Natorium Certified

CSA - CLASS 3425 09 -Submersible

CSA - CLASS 3425 89 -Submersible - Certified to US Standards



### Performance

Wattage	Supply Voltage	Power Consumption Budget per fixture (including driver)	LED Output (Source)	Fixture Output (Delivered)
1W	12V	1.3W	110 lm	0.5-1.0 lm
2W	12V	2.6W	220 lm	2.0-3.4 lm

### Application

Environment	Dry / Damp / Wet/ Underwater Location approved. IP 68.
Mounting	<b>Recessed:</b> Designed to be cast into earth, gravel, or concrete for submersed applications. <b>MK1 mounting kit (optional):</b> Recommended for easy installation on vertical surfaces (e.g. stair risers, walls), and downward-facing surfaces (e.g. ceilings, soffits). See "Mounting Options & Dimensions," or visit <a href="#">MK1</a>

### Electrical

Power Supplies	Compatible with remote pool-certified power supplies
Control	On/off control

### Luminaire Construction

LED Light Source	<b>W22H</b> = CCT: 2200K, CRI (Ra): 90+, Colour Consistency: 3SDCM <b>W27H</b> = CCT: 2700K, CRI (Ra): 90+, Colour Consistency: 2SDCM <b>W30H</b> = CCT: 3000K, CRI (Ra): 90+, Colour Consistency: 2SDCM <b>W35H</b> = CCT: 3500K, CRI (Ra): 90+, Colour Consistency: 2SDCM
Weight	1.8 lbs (0.816 kg). Typical stainless steel 316 Insert & Back Box only.
Material	<b>Fixture:</b> Stainless steel (316) with tempered glass.
Supplied with	<b>Standard installation housing:</b> Comes with a 304 stainless steel square back box, an brass/stainless steel 316 flange, an integral leveling device, a plastic cap, gel filled wire nuts, and silicone grease. <b>Wire lead:</b> 15' (4572mm) or custom length
Warranty & LED Life	5 years limited warranty Estimated useful life of LED is 50,000 hours.

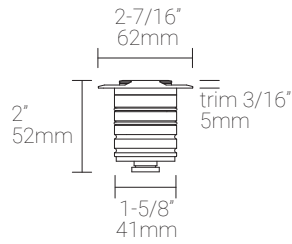
### Ordered Separately

System Components	<b>Power supplies:</b> remote power supply <b>Mounting kits:</b> MK1
-------------------	-------------------------------------------------------------------------

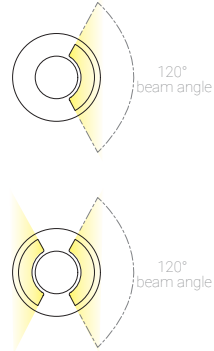
Mounting Options & Dimensions

LED Insert Dimensions

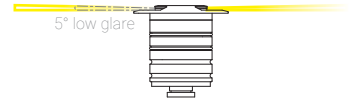
Fixture



Top View

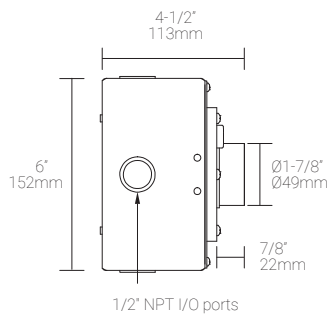


3D View: Double Aperture

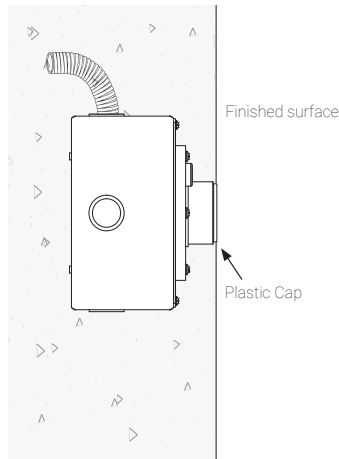


In-ground Installation (shown with MP Lighting Back Box | Order Code: EBX-SQR1-CSS6)

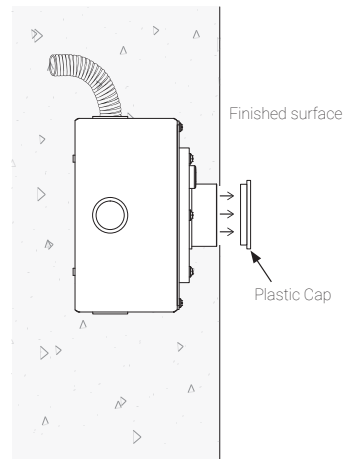
Box with Standard Flange



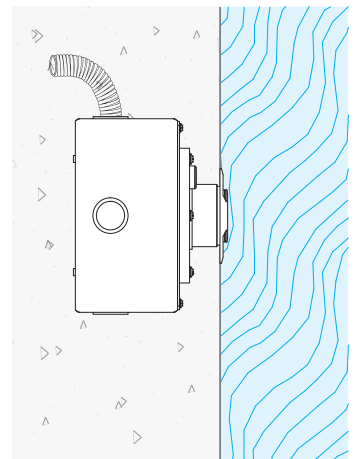
Box with Standard Flange:  
During Concrete Installation



Box with Standard Flange:  
Complete Concrete Installation



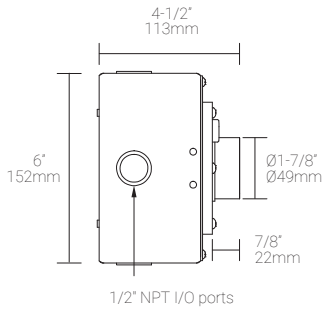
Box with Standard Flange :  
Complete Concrete Installation



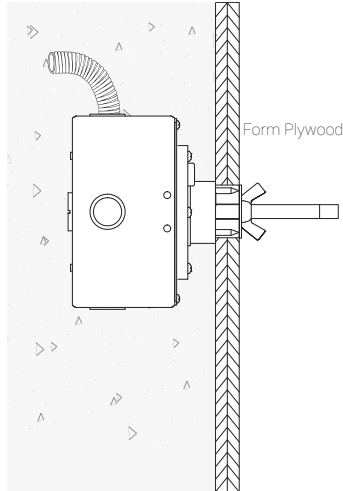
Mounting Kits

**MK1: Ceiling, Wall, and Stair Riser Installation (shown with MP Lighting Back Box | Order Code: EBX-SQR1-CSS6)**

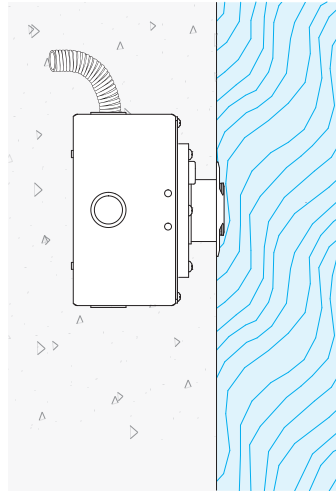
Box with Standard Flange



MK1 & Box with Standard Flange :  
During Installation



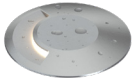
Fixture & Box with Standard Flange:  
Complete Installation



6" (152mm) threaded rod is supplied. Thread size: 3/8"-16

Appendix

Single Aperture



S6 stainless steel 316

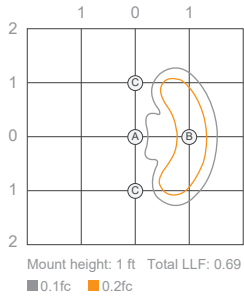
Double Aperture



S6 stainless steel 316

1W, 3000K, 90+ CRI

Isofootcandle Plot

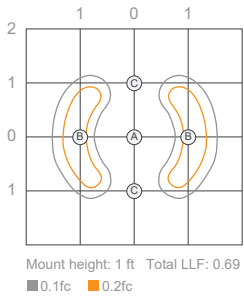


Illuminance at a Distance

Location	Center Beam fc
A	0.1fc
B	0.22fc
C	0.07fc

Delivered Lumen: 0.5lm

Isofootcandle Plot



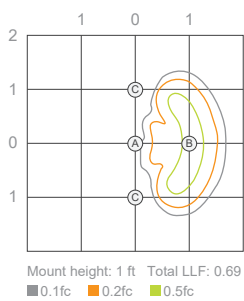
Illuminance at a Distance

Location	Center Beam fc
A	0.13fc
B	0.18fc
C	0.1fc

Delivered Lumen: 1 lm

2W, 3000K, 90+ CRI

Isofootcandle Plot

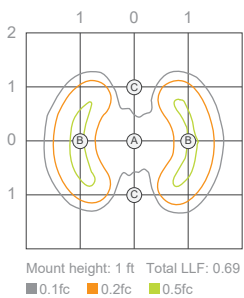


Illuminance at a Distance

Location	Center Beam fc
A	0.13fc
B	0.4fc
C	0.1fc

Delivered Lumen: 2 lm

Isofootcandle Plot



Illuminance at a Distance

Location	Center Beam fc
A	0.21fc
B	0.3fc
C	0.15fc

Delivered Lumen: 3.4 lm