

U302

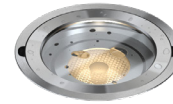
UNDERWATER: CHLORINATED WATER & FRESHWATER

In-grade | Submersed under water up to 10' (3m) depth.

- Underwater/Swimming Pool/Natatorium Certified

CSA - CLASS 3425 09 -Submersible

CSA - CLASS 3425 89 -Submersible - Certified to US Standards



Ordering Information

Clear Form

Date : _____ Quantity : _____

Project : _____ Note : _____

Type : _____

Specifications

Luminaire | Example Code: U302-2-W30H-N-C-LM-0-MK1-B-12-S6

Product	Version	CCT & CRI ¹	Beam Angle ²	Lens	Accessories ³ (optional)	Internal Angle Bracket ⁴	Mounting Kit ⁵ (optional)	Flange & Back Box ⁶	Lead Length ⁷	Trim Finish
U302										S6
	1 1W 2 2W	W22H 2200K 90+ W27H 2700K 90+ W30H 3000K 90+ W35H 3500K 90+	S spot 12° N narrow flood 30° F flood 45° W wide flood 120°	C clear F frosted	LM louver, matte anodized LB louver, black anodized HM hex louver, matte anodized HB hex louver, black anodized AB angled louver, black anodized SB straight louver, black anodized QB square louver, black anodized RB ring louver, black anodized PL pinhole louver black anodized	0 no angle 20 20° angle X custom	MK1 vertical surface	B back box F flange only	15 15' (4572mm) X custom	Stainless Steel Finish: S6 stainless steel 316

System Components (Ordered Separately)

Pool-certified power supplies : _____

* Consult MP Lighting Website or Factory.

Order Guide Important Notes

Specifications

1. Refer to pg.2 - for Colour Consistency details.
2. See Light Distribution section for illustration of different combinations of beam angles and angle bracket.
3. Louvers will be below the glass cover. Only available when there is no Internal Angle Bracket.
4. Internal angle bracket is factory set, and cannot be field adjusted. 5° increments to maximum of 20° without accessories.

5. Mounting kit is ordered separately. Please consult factory.
6. For components included, refer to Luminaire Construction section. For custom box and flange options, consult MP factory.
7. Custom lengths available by 1' increments.

Warranty Notes & Disclaimer

Malfunction and damage to product due to incompatible dimming system or misuse will not be covered under warranty. Consult MP Lighting for recommended drivers. If the fixture has an option to be installed with a dimming control system, consult a dimming system manufacturer with minimum load before installing. MP Lighting reserves the right, at its sole discretion, at any time and without notice, to make design changes to any of our products. Consult MP Lighting website for most updated documentation.

U302

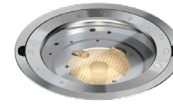
UNDERWATER: CHLORINATED WATER & FRESHWATER

In-grade | Submersed under water up to 10' (3m) depth.

- Underwater/Swimming Pool/Natatorium Certified

CSA - CLASS 3425 09 -Submersible

CSA - CLASS 3425 89 -Submersible - Certified to US Standards



Performance

Wattage	Supply Voltage	Power Consumption Budget per fixture (including driver)	LED output (Source)	Fixture Output (Delivered)
1W	12V	1.3W	110 lm	47-62 lm
2W	12V	2.6W	220 lm	75-79 lm

Application

Environment	Dry / Damp / Wet/ Underwater Location approved. IP 68.
Mounting	Recessed: Designed to be cast into earth, gravel, or concrete for submersed applications. MK1 mounting kit (optional): Recommended for easy installation on vertical surfaces (e.g. stair risers, walls), and downward-facing surfaces (e.g. ceilings, soffits). See "Mounting Options & Dimensions," or visit MK1

Electrical

Electrical	Compatible with remote pool-certified power supplies
Control	On/off control

Luminaire Construction

LED Light Source	W22H = CCT: 2200K, CRI (Ra): 90+, Colour Consistency: 3SDCM W27H = CCT: 2700K, CRI (Ra): 90+, Colour Consistency: 2SDCM W30H = CCT: 3000K, CRI (Ra): 90+, Colour Consistency: 2SDCM W35H = CCT: 3500K, CRI (Ra): 90+, Colour Consistency: 2SDCM
Weight	2.45 lbs (1.11 kg). Typical stainless steel 316 Insert & Back Box only.
Material	Fixture: Machined stainless steel (316) with tempered glass.
Supplied with	Standard installation housing: Comes with a 304 stainless steel square back box, an brass/stainless steel 316 flange, an integral leveling device, a plastic cap, gel filled wire nuts, and silicone grease. Wire lead: 15' (4572m) or custom length
Warranty & LED Life	5 years limited warranty Estimated useful life of LED is 50,000 hours.

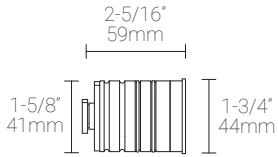
Ordered Separately

System Components	Power supplies: remote power supply Mounting kits: MK1
-------------------	---

Mounting Options & Dimensions

LED Insert Dimensions

Fixture



Top View

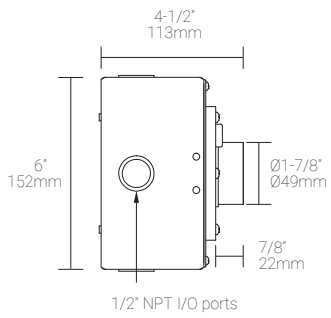


3D View

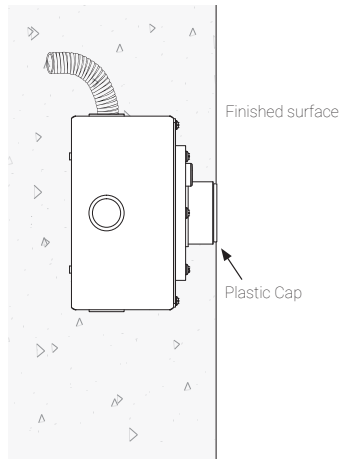


In-ground Installation (shown with MP Lighting Back Box)

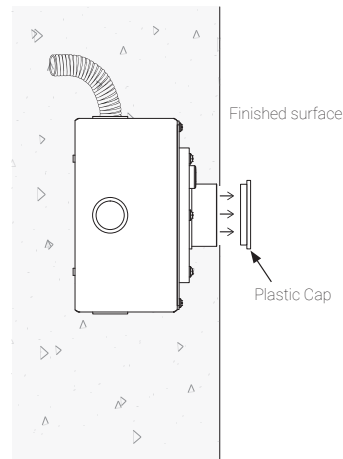
Box with Standard Flange



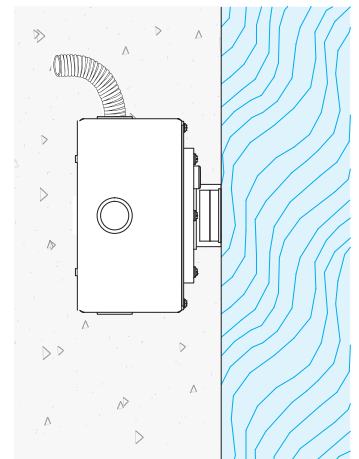
Box with Short Flange:
During Concrete Installation



Box with Short Flange:
Complete Concrete Installation



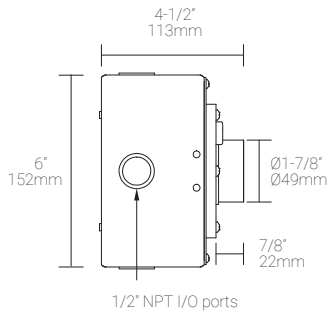
Box with Short Flange :
Complete Concrete Installation



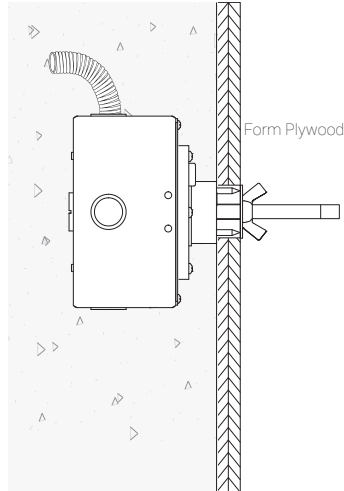
Mounting Kits

MK1: Ceiling, Wall, and Stair Riser Installation (shown with MP Lighting Back Box)

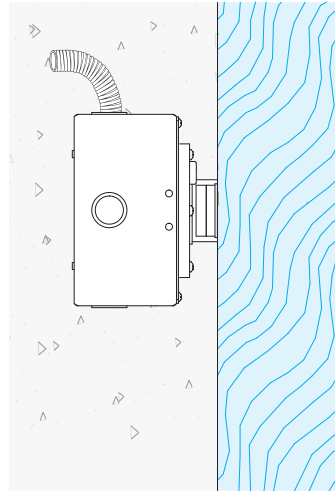
Box with Standard Flange



Box with Standard Flange & MK1:
During Installation



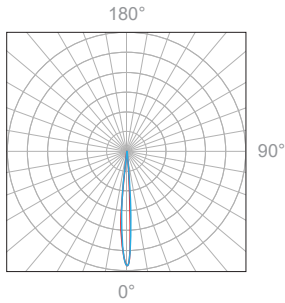
Box with Standard Flange:
Complete Installation



6" (152mm) threaded rod is supplied. Thread size: 3/8"-16

1W, 3000K, 90+ CRI

Polar Candela Distribution



Beam Width: 12°

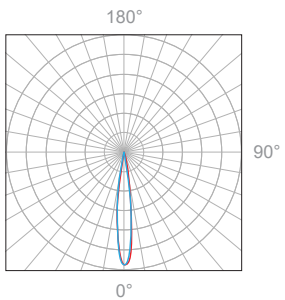


Illuminance at a Distance

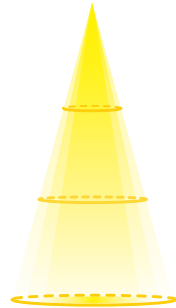
Distance		Center Beam fc	Beam Width			
1.5ft	0.46m	295fc	0.5ft	0.15m	0.5ft	0.15m
3.0ft	0.91m	73fc	1.0ft	0.30m	1.0ft	0.30m
4.5ft	1.37m	33fc	1.6ft	0.49m	1.6ft	0.49m
6.0ft	1.83m	19fc	2.1ft	0.64m	2.1ft	0.64m
7.5ft	2.29m	12fc	2.6ft	0.79m	2.6ft	0.79m
9.0ft	2.74m	9.4fc	3.1ft	0.95m	3.1ft	0.95m

Delivered Lumen: 49 lm
 ■ Vertical Beam Spread: 14.0°
 ■ Horizontal Beam Spread: 14.3°

Polar Candela Distribution



Beam Width: 30°

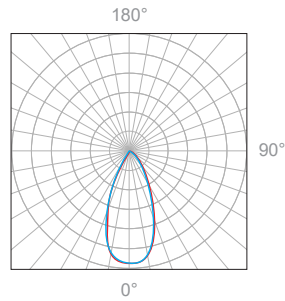


Illuminance at a Distance

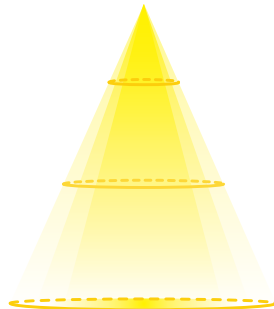
Distance		Center Beam fc	Beam Width			
1.5ft	0.46m	175fc	0.8ft	0.24m	0.8ft	0.24m
3.0ft	0.91m	43fc	1.7ft	0.52m	1.6ft	0.49m
4.5ft	1.37m	20fc	2.5ft	0.76m	2.5ft	0.76m
6.0ft	1.83m	12fc	3.3ft	1.01m	3.3ft	1.01m
7.5ft	2.29m	8.5fc	4.2ft	1.28m	4.1ft	1.25m
9.0ft	2.74m	6.4fc	5.0ft	1.52m	4.9ft	1.52m

Delivered Lumen: 62 lm
 ■ Vertical Beam Spread: 32.5°
 ■ Horizontal Beam Spread: 32.1°

Polar Candela Distribution



Beam Width: 45°

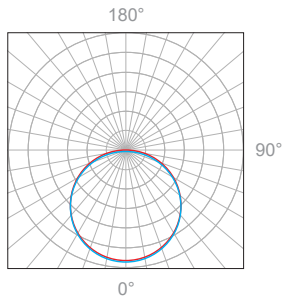


Illuminance at a Distance

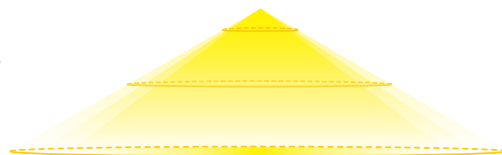
Distance		Center Beam fc	Beam Width			
3.0ft	0.91m	12.1fc	2.6ft	0.79m	2.5ft	0.76m
6.0ft	1.83m	3.04fc	5.1ft	1.55m	5.1ft	1.55m
9.0ft	2.74m	1.35fc	7.7ft	2.34m	7.6ft	2.31m
12.0ft	3.65m	0.76fc	10.2ft	3.10m	10.1ft	3.07m
15.0ft	4.57m	0.49fc	12.8ft	3.90m	12.6ft	3.84m
18.0ft	5.48m	0.34fc	15.4ft	4.69m	15.2ft	4.63m

Delivered Lumen: 77.7 lm
 ■ Vertical Beam Spread : 46.2°
 ■ Horizontal Beam Spread : 45.7°

Polar Candela Distribution



Beam Width: 120°



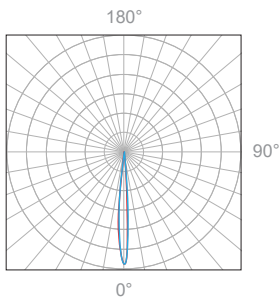
Illuminance at a Distance

Distance		Center Beam fc	Beam Width			
1.5ft	0.46m	15fc	4.8ft	1.46m	4.9ft	1.49m
3.0ft	0.91m	4.4fc	9.6ft	2.93m	9.8ft	2.99m
4.5ft	1.37m	2.1fc	14.4ft	4.39m	14.7ft	4.48m
6.0ft	1.83m	1.2fc	19.3ft	5.88m	19.6ft	5.97m
7.5ft	2.29m	0.8fc	24.1ft	7.35m	24.5ft	7.47m
9.0ft	2.74m	0.6fc	28.9ft	8.81m	29.4ft	8.96m

Delivered Lumen: 47 lm
 ■ Vertical Beam Spread : 116.1°
 ■ Horizontal Beam Spread : 117.1°

2W, 3000K, 90+ CRI

Polar Candela Distribution



Beam Width: 12°

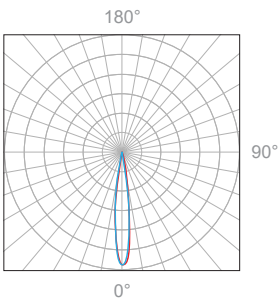


Illuminance at a Distance

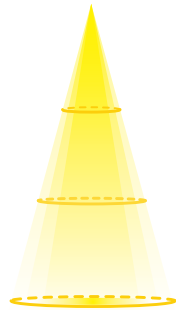
Distance		Center Beam fc	Beam Width			
1.5ft	0.46m	525fc	0.5ft	0.15m	0.5ft	0.15m
3.0ft	0.91m	140fc	1.0ft	0.30m	1.0ft	0.30m
4.5ft	1.37m	62fc	1.6ft	0.49m	1.6ft	0.49m
6.0ft	1.83m	35fc	2.1ft	0.64m	2.1ft	0.64m
7.5ft	2.29m	23fc	2.6ft	0.79m	2.6ft	0.79m
9.0ft	2.74m	16fc	3.1ft	0.95m	3.1ft	0.95m

Delivered Lumen: 78 lm
 ■ Vertical Beam Spread: 19.2°
 ■ Horizontal Beam Spread: 19.2°

Polar Candela Distribution



Beam Width: 30°

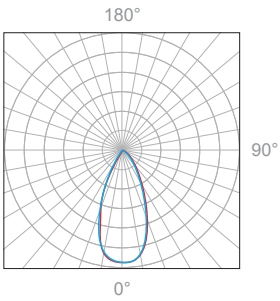


Illuminance at a Distance

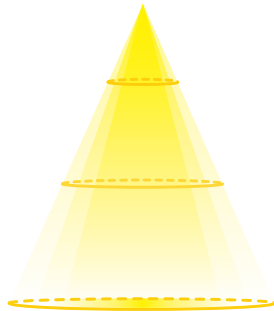
Distance		Center Beam fc	Beam Width			
1.5ft	0.46m	335fc	0.8ft	0.24m	0.8ft	0.52m
3.0ft	0.91m	82fc	1.5ft	0.46m	1.5ft	0.46m
4.5ft	1.37m	38fc	2.3ft	0.70m	2.3ft	0.70m
6.0ft	1.83m	23fc	3.1ft	0.94m	3.0ft	0.91m
7.5ft	2.29m	15fc	3.8ft	1.16m	3.8ft	1.16m
9.0ft	2.74m	11fc	4.6ft	1.40m	10.4ft	1.40m

Delivered Lumen: 79 lm
 ■ Vertical Beam Spread: 28.5°
 ■ Horizontal Beam Spread: 28.5°

Polar Candela Distribution



Beam Width: 45°

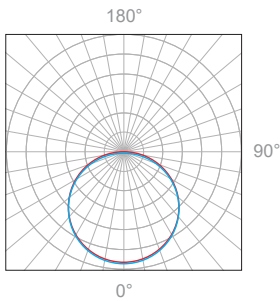


Illuminance at a Distance

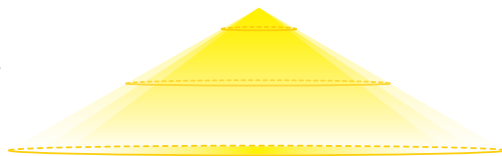
Distance		Center Beam fc	Beam Width			
3.0ft	0.91m	21.8fc	2.6ft	0.79m	2.6ft	0.79m
6.0ft	1.83m	5.45fc	5.2ft	1.58m	5.1ft	1.55m
9.0ft	2.74m	2.42fc	7.7ft	2.34m	7.7ft	2.34m
12.0ft	3.65m	1.36fc	10.3ft	3.13m	10.2ft	3.10m
15.0ft	4.57m	0.87fc	12.9ft	3.93m	12.8ft	3.90m
18.0ft	5.48m	0.61fc	15.5ft	4.72m	15.3ft	4.66m

Delivered Lumen: 139.1 lm
 ■ Vertical Beam Spread : 46.5°
 ■ Horizontal Beam Spread : 46.1°

Polar Candela Distribution



Beam Width: 120°



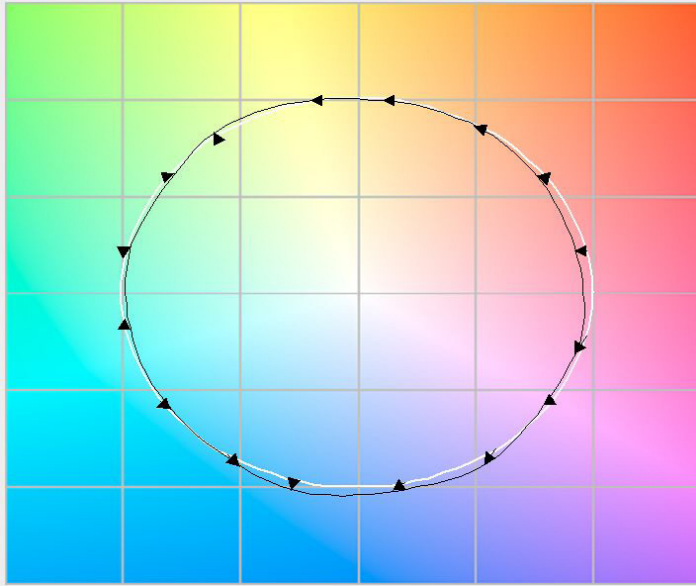
Illuminance at a Distance

Distance		Center Beam fc	Beam Width			
1.5ft	0.46m	28fc	4.8ft	1.46m	4.9ft	1.49m
3.0ft	0.91m	8fc	9.6ft	2.93m	9.7ft	2.96m
4.5ft	1.37m	4fc	14.4ft	4.39m	14.6ft	4.45m
6.0ft	1.83m	2.5fc	19.2ft	5.85m	19.4ft	5.91m
7.5ft	2.29m	1.8fc	24.0ft	7.32m	24.3ft	7.41m
9.0ft	2.74m	1.4fc	28.9ft	8.81m	29.1ft	8.87m

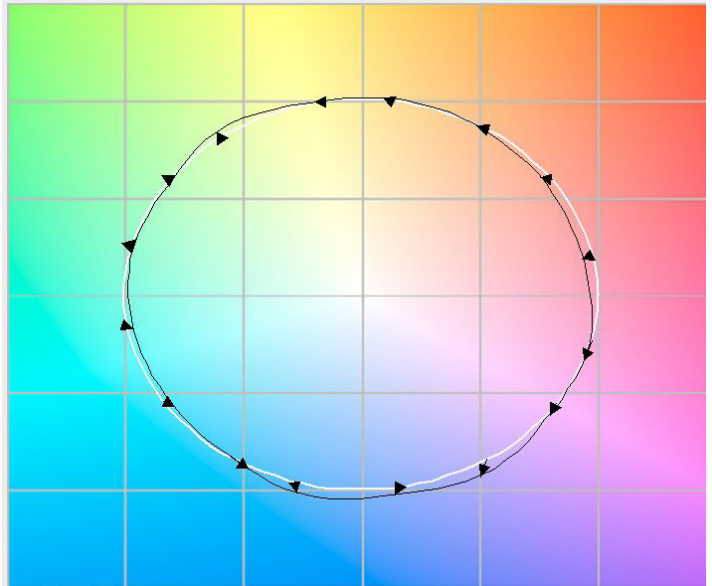
Delivered Lumen: 75 lm
 ■ Vertical Beam Spread : 116.1°
 ■ Horizontal Beam Spread : 116.6°

TM30 Report

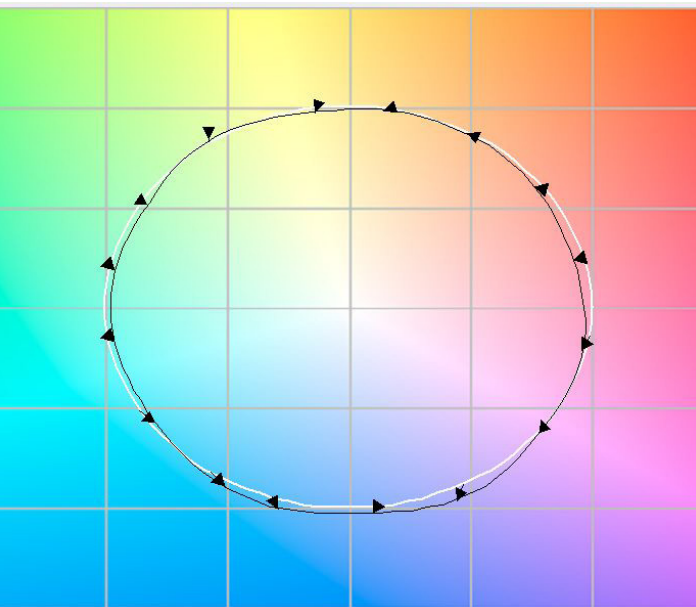
2700K, 90+CRI



3000K, 90+CRI



3500K, 90+CRI



Appendix



S6 stainless steel 316

Accessories



LM louver, matte clear anodized



LB louver, black anodized



HM hex louver, matte clear anodized



HB hex louver, black anodized



AB angled louver, black anodized



SB straight louver, black anodized



QB square louver, black anodized



RB ring louver, black anodized



PL pinhole louver, matte clear anodized



PL pinhole louver, black anodized