

U331

UNDERWATER: SEA WATER, CHLORINATED WATER & FRESHWATER

In-grade | Submersed under water up to 10' (3m) depth.

- Underwater/Swimming Pool/Natatorium Certified

CSA - CLASS 3425 09 -Submersible

CSA - CLASS 3425 89 -Submersible - Certified to US Standards



Ordering Information

Clear Form

Date : _____ Quantity : _____

Project : _____ Note : _____

Type : _____

Specifications

Luminaire | Example Code: U331-W30H-C-3-B-12-S6

Product	CCT & CRI ¹	Lens	Threaded Pipe ²	Flange & Back Box ³	Lead Length ⁴	Trim Finish
U331			3			S6
	W22S 2200K 80+	C clear	3 3' (76mm)	B back box	15 15' (4572mm)	S6 stainless steel 316
	W27H 2700K 90+	F frosted		F flange only	X custom	
	W30H 3000K 90+					
	W35H 3500K 90+					
	W41H 4100K 90+					

System Components (Ordered Separately)

Underwater certified power supply : _____

* Consult MP Lighting Website or Factory.

Order Guide Important Notes

Specification

1. Refer to pg.02 - for Colour Consistency details.
2. Fixed threaded pipe length: 3' (76mm)
3. For components included, refer to Luminaire Construction section. For custom box and flange options, consult MP factory.
4. Custom lengths available by 1' (305mm) increments.

Warranty Notes & Disclaimer

Malfunction and damage to product due to incompatible dimming system or misuse will not be covered under warranty. Consult MP Lighting for recommended drivers. If the fixture has an option to be installed with a dimming control system, consult a dimming system manufacturer with minimum load before installing. MP Lighting reserves the right, at its sole discretion, at any time and without notice, to make design changes to any of our products. Consult MP Lighting website for most updated documentation.

U331

UNDERWATER: SEA WATER, CHLORINATED WATER & FRESHWATER

In-grade | Submersed under water up to 10' (3m) depth.

- Underwater/Swimming Pool/Natatorium Certified

CSA - CLASS 3425 09 -Submersible

CSA - CLASS 3425 89 -Submersible - Certified to US Standards



Performance

Wattage	Driver Input Voltage	Power Consumption Budget per fixture (including driver)	LED output (Source)	Fixture Output (Delivered)
0.2W	100-277V	0.2W	22 lm	2.7 lm

Application

Environment	Underwater / Wet / Damp / Dry Location approved. IP 68.
Mounting	Recessed: Designed to be cast into earth, gravel, or concrete for submersed applications.

Electrical

Power Supply	Compatible with remote pool certified 60W, 12V DC, 0-10V dimmable driver.
Control	On/off control Dimming: 0-10V dimming

Luminaire Construction

LED Light Source	W22S = CCT: 2200K, CRI (Ra): 80+, Colour Consistency: 3SDCM W27H = CCT: 2700K, CRI (Ra): 90+, Colour Consistency: 2SDCM W30H = CCT: 3000K, CRI (Ra): 90+, Colour Consistency: 2SDCM W35H = CCT: 3500K, CRI (Ra): 90+, Colour Consistency: 2SDCM W41H = CCT: 4100K, CRI (Ra): 90+, Colour Consistency: 3SDCM
Weight	0.058 lbs (26.5 g). Stainless Steel 316 Insert only.
Material	Fixture: Stainless steel (316) with tempered glass.
Supplied with	Standard installation housing: Comes with a 304 stainless steel square back box, and brass/stainless steel 316 threaded pipe and flange, an integral leveling device, a plastic cap, gel filled wire nuts, and silicone grease. Wire lead: 15' (4572mm)
Warranty & LED Life	5 years limited warranty Estimated useful life of LED is 50,000 hours.

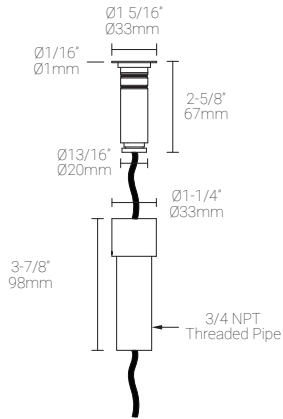
Ordered Separately

System Components	Power supplies: remote power supply Please consult factory or visit Recommended Drivers for available driver options.
-------------------	---

Mounting Options & Dimensions

LED Insert Dimensions

Fixture:
LED Insert & Threaded Pipe



3D View:
LED Insert



3D View:
LED Insert & Threaded Pipe

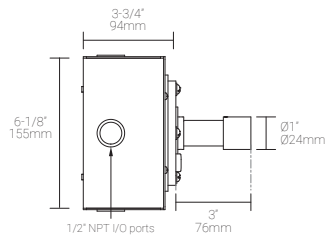


Beam

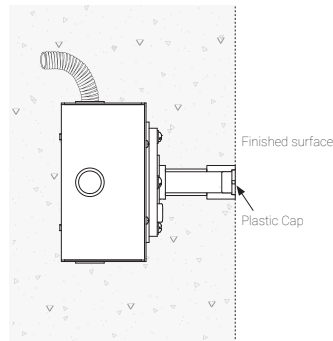


Concrete Installation (shown with MP Lighting Back Box)

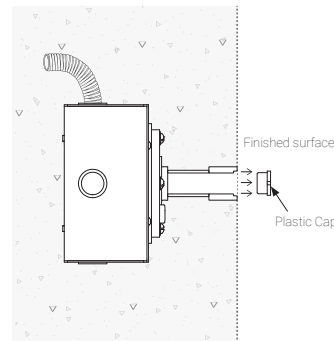
Box with Threaded Pipe



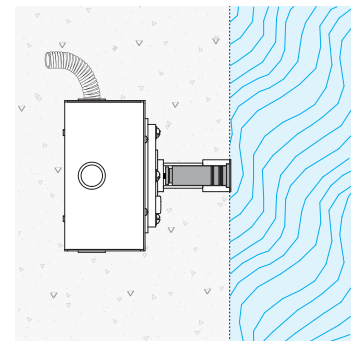
Box with Threaded Pipe:
During Concrete Installation



Box with Threaded Pipe:
During Concrete Installation

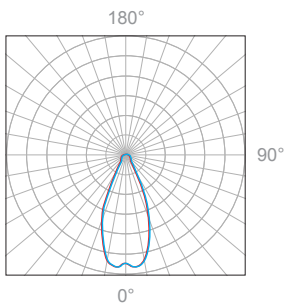


Box with Threaded Pipe & LED
Insert: Complete Concrete
Installation

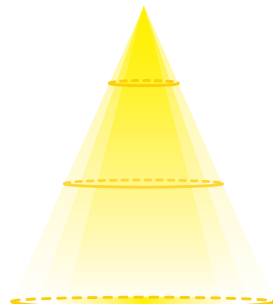


0.2W, 2700K, 90+ CRI

Polar Candela Distribution



Beam Width: 46°



Illuminance at a Distance

Distance		Center Beam fc	Beam Width			
0.2ft	0.06m	115fc	1.2ft	0.37m	1.3ft	0.39m
0.3ft	0.09m	66fc	2.5ft	0.76m	2.5ft	0.30m
0.5ft	0.15m	26fc	3.7ft	1.13m	3.8ft	1.16m
0.7ft	0.21m	13fc	4.9ft	1.49m	5.0ft	1.52m
0.8ft	0.24m	10fc	6.2ft	1.89m	6.3ft	1.92m
1.0ft	0.30m	5fc	7.4ft	2.26m	7.5ft	2.29m

Delivered Lumen: 2.7lm
■ Vertical Beam Spread: 44.6°
■ Horizontal Beam Spread: 45.3°