

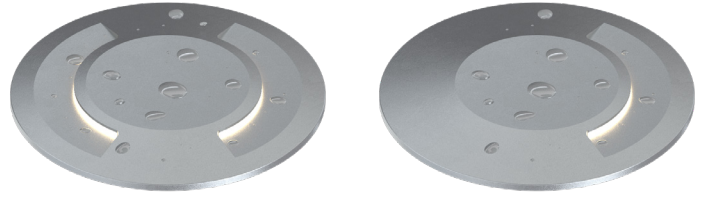
U358

UNDERWATER: CHLORINATED WATER, FRESH WATER & SEA WATER
 In-grade | Submersed under water up to 10' (3m) depth.

- Underwater/Swimming Pool/Natatorium Certified

CSA - CLASS 3425 09 -Submersible

CSA - CLASS 3425 89 -Submersible - Certified to US Standards



Ordering Information

Clear Form

Date : _____

Quantity : _____

Project : _____

Note : _____

Type : _____

Specifications

Luminaire | Example Code: U358-7-W30H-D-MK1-B-12-S6

Product	Wattage	CCT & CRI ¹	Aperture	Mounting Kit ² (optional)	Flange & Back Box	Lead Length ³	Trim Finish
U358							S6
	3 1W x 3 7 2.5W x 3	W22S 2200K 80+ W27H 2700K 90+ W30H 3000K 90+ W35H 3500K 90+ W41H 4100K 90+	S single D double	MK1 vertical surface	B back box F flange only	15 15' (4752mm) X custom	Stainless Steel Finishes: S6 stainless steel 316

System Components (Ordered Separately)

Pool-certified power supply : _____

* Consult MP Lighting Website or Factory.

Important Notes

Specification

1. Refer to pg.2 - for Colour Consistency details.
2. Mounting kit is ordered separately. Please consult factory.
3. Custom length available by 1' increments.

Warranty Notes & Disclaimer

Malfunction and damage to product due to incompatible dimming system or misuse will not be covered under warranty. Consult MP Lighting for recommended drivers. If the fixture has an option to be installed with a dimming control system, consult a dimming system manufacturer with minimum load before installing. MP Lighting reserves the right, at its sole discretion, at any time and without notice, to make design changes to any of our products. Consult MP Lighting website for most updated documentation.

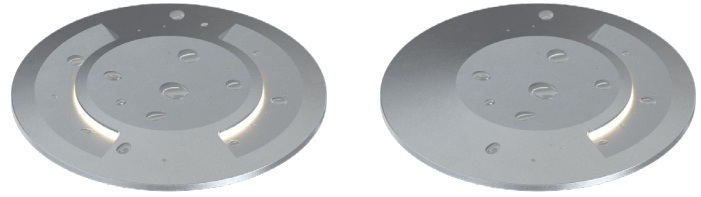
U358

UNDERWATER: CHLORINATED WATER, FRESH WATER & SEA WATER
 In-grade | Submersed under water up to 10' (3m) depth.

- Underwater/Swimming Pool/Natorium Certified

CSA - CLASS 3425 09 -Submersible

CSA - CLASS 3425 89 -Submersible - Certified to US Standards



Performance

Wattage	Supply Volatage	Power Consumption Budget per fixture (including driver)	LED output (Source)	Fixture Output (Delivered)
3W	12V	3.6W	330 lm	1.3-2.5 lm
7.5W	12V	8.0W	825 lm	2.2-4.0 lm

Application

Environment	Dry / Damp / Wet/ Underwater Location approved. IP 68.
Mounting	Recessed: Designed to be cast into earth, gravel, or concrete for submersed applications. MK1 mounting kit (optional): Recommended for easy installation on vertical surfaces (e.g. stair risers, walls), and downward-facing surfaces (e.g. ceilings, soffits). See "Mounting Options & Dimensions," or visit MK1

Electrical

Power Supplies	Compatible with remote pool-certified power supplies
Control	On/off control

Luminaire Construction

LED Light Source	W22S = CCT: 2200K, CRI (Ra): 80+, Colour Consistency: 3SDCM W27H = CCT: 2700K, CRI (Ra): 90+, Colour Consistency: 2SDCM W30H = CCT: 3000K, CRI (Ra): 90+, Colour Consistency: 2SDCM W35H = CCT: 3500K, CRI (Ra): 90+, Colour Consistency: 3SDCM (Contact factory for 2SDCM option) W41H = CCT: 4100K, CRI (Ra): 90+, Colour Consistency: 3SDCM
Weight	N/A
Material	Fixture: Stainless steel (316) with tempered glass
Supplied with	Standard installation housing: Comes with a 304 stainless steel square back box, an brass/stainless steel 316 flange, an integral leveling device, a plastic cap, and silicone grease. Wire lead: 15' (4752mm)
Warranty & LED Life	5 years limited warranty Estimated useful life of LED is 50,000 hours.

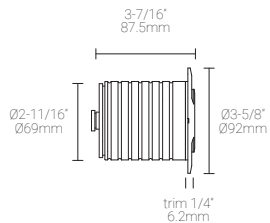
Ordered Separately

System Components	Power supplies: remote power supply Please consult factory or visit Recommended Drivers for available driver options. Mounting kits: MK1
-------------------	--

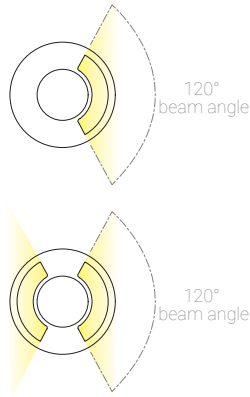
Mounting Options & Dimensions

LED Insert Dimensions (shown with double aperture)

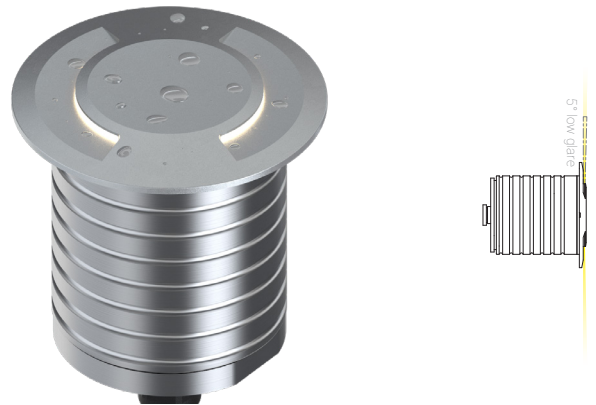
Fixture



Top View

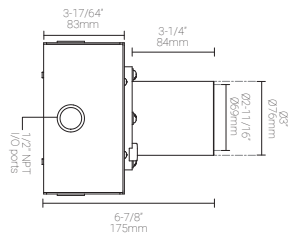


3D View

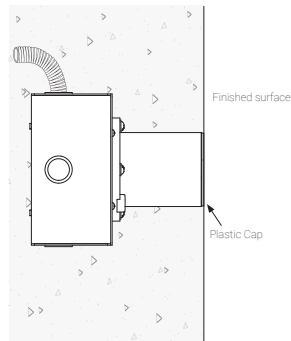


In-ground Installation (shown with MP Lighting Back Box | Order Code: EBX-SQR1-DSBR)

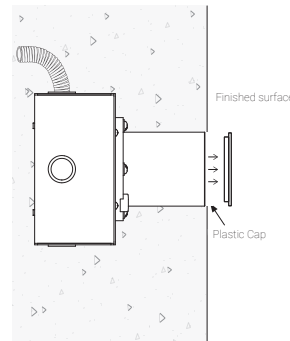
Box with Standard Flange



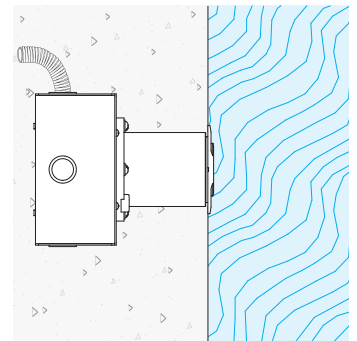
Box with Standard Flange:
During Concrete Installation



Box with Standard Flange:
During Concrete Installation



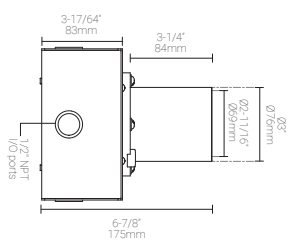
Box with Standard Flange:
Complete Concrete Installation



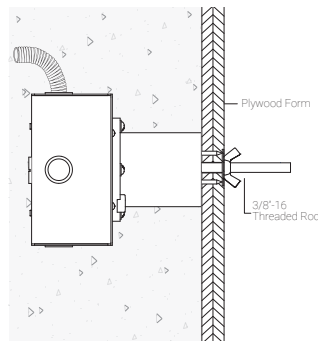
Mounting Kit

MK1: Ceiling, Wall, and Stair Riser Installation (shown with MP Lighting Back Box | Order Code: EBX-SQR1-DSBR)

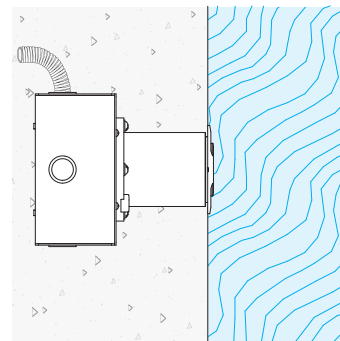
Box with Standard Flange



Box with Standard Flange & MK1:
During Installation



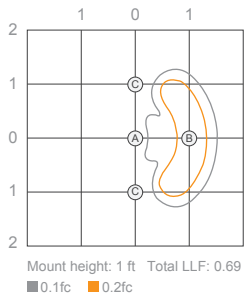
Box with Standard Flange:
Complete Installation



6" (152mm) threaded rod is supplied. Thread size: 3/8"-16

3W, 3000K, 90+ CRI

Isofootcandle Plot

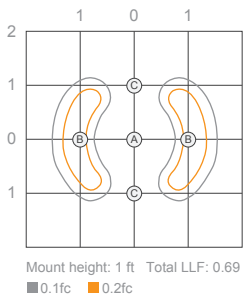


Illuminance at a Distance

Location	Center Beam fc
A	0.23fc
B	0.16fc
C	0.44fc

Delivered Lumen: 1.3 lm

Isofootcandle Plot



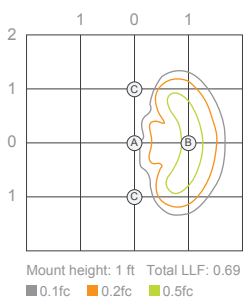
Illuminance at a Distance

Location	Center Beam fc
A	0.35fc
B	0.51fc
C	0.21fc

Delivered Lumen: 2.5 lm

7W, 3000K, 90+ CRI

Isofootcandle Plot

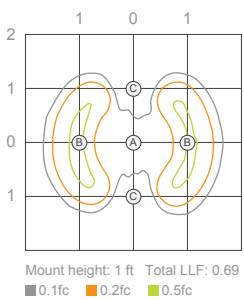


Illuminance at a Distance

Location	Center Beam fc
A	0.39fc
B	0.3fc
C	0.77fc

Delivered Lumen: 2.2 lm

Isofootcandle Plot



Illuminance at a Distance

Location	Center Beam fc
A	0.63fc
B	0.91fc
C	0.51fc

Delivered Lumen: 4.0 lm

Appendix



S6 stainless steel 316
D double aperture



S6 stainless steel 316
S single aperture