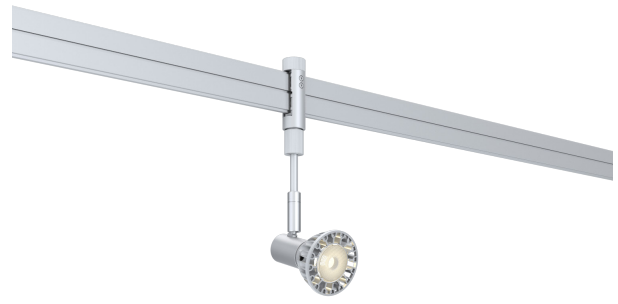


X45DC

INTERIOR

Spotlight | For ceilings, walls & counters

● Dry location



Ordering Information

Clear Form

Date : _____

Project : _____

Type : _____

Quantity : _____

Note : _____

Specifications

Luminaire | Example Code: X45-DC-2-MC

Product	Mounting	Stem Length	Finish ¹
X45	DC		MC
	DC dual circuit	2 = 2" (51mm) X custom ²	Aluminum Finishes: MC matte chrome

System Components (Ordered Separately)

Remote Driver : _____

* Consult MP Lighting Website or Factory.

Important Notes

Specification

1. Refer to Appendix or MP Lighting website for complete look of luminaire with different finish options.
2. Available in 1" (25mm) increments, maximum length 96" (2438mm).

Warranty Notes & Disclaimer

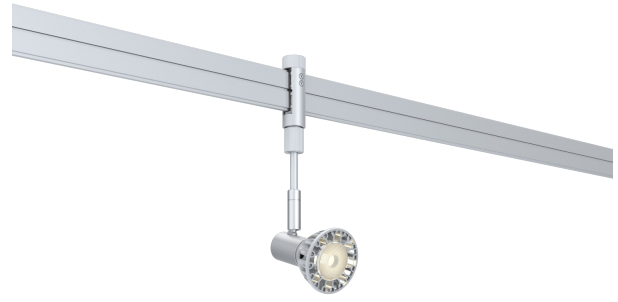
Malfunction and damage to product due to incompatible dimming system or misuse will not be covered under warranty. Consult MP Lighting for recommended drivers. If the fixture has an option to be installed with a dimming control system, consult a dimming system manufacturer with minimum load before installing. MP Lighting reserves the right, at its sole discretion, at any time and without notice, to make design changes to any of our products. Consult MP Lighting website for most updated documentation.

X45DC

INTERIOR

Spotlight | For ceilings, walls & counters

- Dry location



Application

Environment	Dry Location approved. IP 20.
Mounting	DC: Rotatable and easy to position. Designed for use on MP dual circuit (DC) (sold separately).

Luminaire Construction

LED Light Source	Lamp supplied by others. Recommended: MR16, 50 W max or LED MR16 (SORAA lamp) 10W max.
Weight	N/A
Material	Fixture: Machined aluminum with electroplated finish.
Supplied with	Standard installation housing: Comes with an adapter plate, two #8-32 screws, and wire nuts.
Warranty & LED Life	5 years limited warranty. Estimated useful life of LED is 50,000 hours.

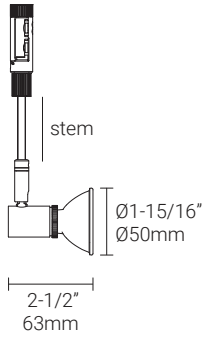
Ordered Separately

System Components	Lamp.
-------------------	-------

Mounting Options & Dimensions

LED Fixture Dimensions

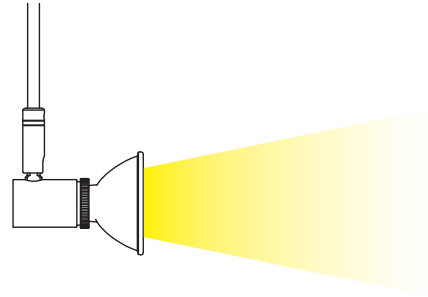
Fixture



3D View



Beam (with lamp supplied by others)



DC

Dual Circuit



Fixture with Dual Circuit



Appendix

Aluminum Finishes



MC matte chrome