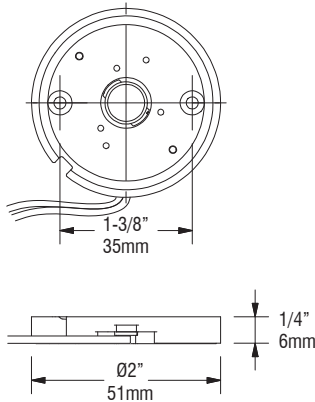


# ZA26

## 26W Zhaga Module



Zhaga module comes with 1ft (305mm) wire lead.

**Feature:** Module can be changed without replacing entire luminaire  
 Compliant to Zhaga Interface Specification - Book 3  
 Aluminum housing for a long product life  
 Additional modules will be added to the product line

**Wattage:** 26W

**Voltage:** 36V DC

**Current:** 700mA

**CRI:** 80+ and 90+

**Light Output:** \* Tested at operating temperature 85°C  
 (tested at operating temperature, 85°C)

<b>2000K</b>	704lm	(94+ CRI)
<b>2700K</b>	1654lm	(80+ CRI)
	1267lm	(90+ CRI)
	1038lm	(97CRI, R9=97)
<b>3000K</b>	1742lm	(80+ CRI)
	1338lm	(90+ CRI)
	1108lm	(97CRI, R9=97)
<b>3500K</b>	1813lm	(80+ CRI)
	1408lm	(90+ CRI)

Type:  
 Project:  
 Modified:  
 Quantity:  
 Notes:

CODE	WATTAGE	COLOR	CRI
<b>ZA</b>	<b>26</b>	-	
<b>ZA</b> = Zhaga module	<b>26</b> = 26W	<b>W20</b> = 2000K <b>W27</b> = 2700K <b>W30</b> = 3000K <b>W35</b> = 3500K	<b>S</b> = 80+ CRI <b>H</b> = 90+ CRI (when 2000K, 94+ CRI) <b>V</b> = 97 CRI (only available in 2700K and 3000K)