



LED INTEGRATED

WINE RACK SYSTEM

PREMIUM QUALITY | TIMELESS DESIGN

SPECIFICATION GUIDE

THE WINE RACK SYSTEMS

Product Introduction



Wall-mounted L182 in BA and 2A cross arms.



Floor-to-ceiling L183 in BA with 1A cross arms and DS (double-sided rail)



Floor-to-ceiling mounted L183 in BA with 1B cross arms.

L182

Rail – L: 1-1/4" x W: 1" x H: 8' (max.)
Arms – L: 8-1/4" x W: 1-1/4" x H: 1-1/2"

Wall-Mount | Floor-to-Ceiling Mount

BA (black anodized)

- 1A (single bottle, neck view)
- 2A (double bottle, neck view)
- 1B (single bottle, label view)
- 2B (double bottle, label view)
- 1C (single bottle, label view with holder)
- 2C (double bottle, label view with holder)
- 1V (single bottle, vertical view)
- 4B (quadruple bottle, label view)

L183

Rail – L: 1-1/4" x W: 2-3/4" x H: 12' (max.)
Arms – L: 8-1/4" x W: 1-1/4" x H: 1-1/2"

Floor-to-Ceiling Mount

BA (black anodized)

- 1A (single bottle, neck view)
- 2A (double bottle, neck view)
- 1B (single bottle, label view)
- 2B (double bottle, label view)
- 1C (single bottle, label view with holder)
- 2C (double bottle, label view with holder)
- 1V (single bottle, vertical view)
- 4B (quadruple bottle, label view)

A

VERSATILE SYSTEM

O'Rourke's Peak Cellars
L182 with 1V and 2B bottle holders

Flexible Configurations

Specifiable spacing between columns

Specifiable spacing between arms

Floor to ceiling or wall mounted



A

REFINED SYSTEM

📍 Tamarind Tribeca – NYC

L182 with 1B bottle holders

Sophisticated Design

Sleek & Stylish

Even illumination for a cohesive look

Anti-glare accessories that blend in



A CUSTOMIZABLE SYSTEM

📍 YVR Airport – Maple Leaf Lounge
L182 with 2A bottle holders

Made-to-Order Wine Rack Systems

6 bottle holder options

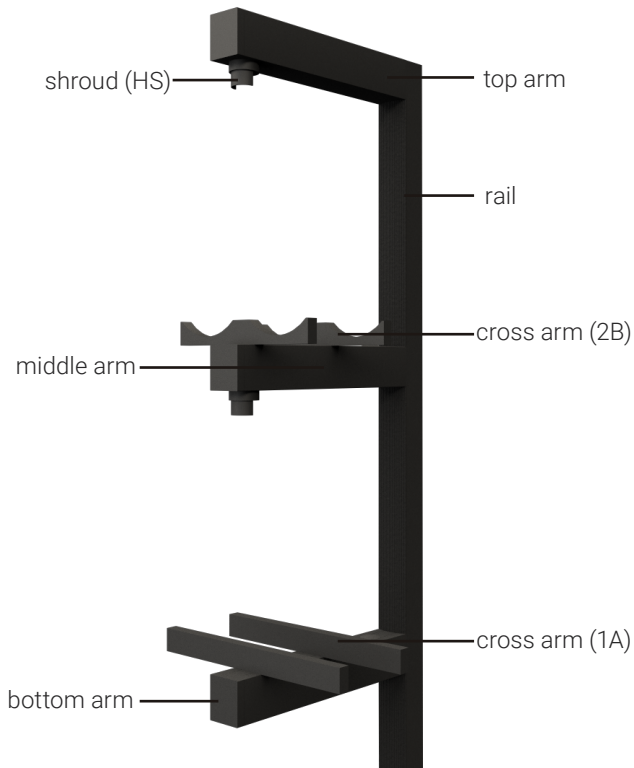
5 colour temperatures

4 shroud accessories



PART 1

BEFORE SPECIFYING



Preliminary Questions:

Where will the wine rack system be installed?

i.e. under stairs, refrigerated cellar, etc.

What are the dimensions of the space?

i.e. 20ft x 8ft.

Would you like the wine rack to be floor-to-ceiling or wall mounted?

i.e. wall mounted.

How many bottles will be stored in the wine racks?

i.e. 100 bottles, 180-200 bottles, etc.

How would you like the bottles to be displayed?

i.e. horizontally, vertically, label view, etc.

Will you include different bottle sizes, such as Magnum sized bottles?

i.e. yes, 2 magnum sized bottles.

How much space would you like between columns?

i.e. 20 inches between columns.

PART 2 SPECIFYING THE SYSTEM

ORDERING INFORMATION:

Clear Form

Date: _____ Type: _____

Project: _____ Notes: _____

*Fixture comprises of 3 components that need to be specified separately:
Mounting & Rail, Arms, and LED drivers.*

COMPONENT 1: MOUNTING & RAIL

Rail	Fixture Length	Finish	Mounting Bracket	Column Quantity	
_____	_____	_____	_____	_____	<div style="border: 1px solid #ccc; padding: 5px; background-color: #f9f9f9;"> <p style="text-align: center; margin: 0;"><i>FOR L183 ONLY</i></p> <p style="text-align: center; margin: 0;">SS DS</p> <p style="margin: 0;">SS single-sided rail</p> <p style="margin: 0;">DS double-sided rail</p> </div>

Rail	RAL-182 RAL-183
Fixture Length ¹	X custom (by ft)
Mounting Bracket ²	WR-MB-BA WR-WB183-BA NO no mounting bracket

COMPONENT 2: ARMS

Product (Top Arm) ³	CCT & CRI	Beam Angle	Accessories	Finish	Quantity	
_____	_____	_____	_____	_____	_____	
Product (Middle Arm) ⁴	CCT & CRI	Beam Angle	Accessories	Cross Bar	Finish	Quantity
_____	_____	_____	_____	_____	_____	_____
Product (Bottom Arm) ⁵				Cross Bar	Finish	Quantity
_____				_____	_____	_____

Product	L182T/M/B L183T/M/B
CCT & CRI	W22S 2200K 80+ W27H 2700K 90+ W30H 3000K 90+ W35H 3500K 90+ W41H 4100K 90+
Beam Angle	S spot, 12° N narrow flood, 30° W wide flood, 120°
Accessories	NA no accessories AS angled shroud HS half shroud FS full shroud
Cross Bar ⁶	1A single neck view 2A double neck view 1B single label view 2B double label view 1C single label view with holder 2C double label view with holder 4B quadruple label view 1V single vertical view
Finish	BA black anodized

COMPONENT 3: DRIVER

Product ⁷	Quantity
LED12W350iP-0B 12W, ELV dimmable (for 2-8 1W LEDs) LED18W350iP-01B 18W, ELV dimmable (for 4-12 1W LEDs) LED18W350iZ-01B 18W, 0-10V dimmable (for 1-12 1W LEDs) LED30W350iZ-01B 30W, 0-10V dimmable (for 1-14 1W LEDs)	X custom

Important Notes:

1. Max height: 8ft (2.44m) for L182, and 12ft (3.65m) for L183.
2. Mounting Brackets are required for Floor-to-Ceiling mounts (sold separately)
3. Top Arm comes with an LED light but no Cross Arm.
4. Middle Arm comes with both an LED light and Cross Arms.
5. Bottom Arm comes with Cross Arm and no LED light.
6. L182: 4B Cross Arm is not compatible with Floor-to-Ceiling mount. L183: Consult factory.
7. 1 driver per column.

PART 3 AFTER SPECIFYING

System Code:

RAL-182-8-NO-BA | x 1

L182T-W30H-N-NA-BA | x 1

L182M-W30H-N-HS-2B-BA | x 9

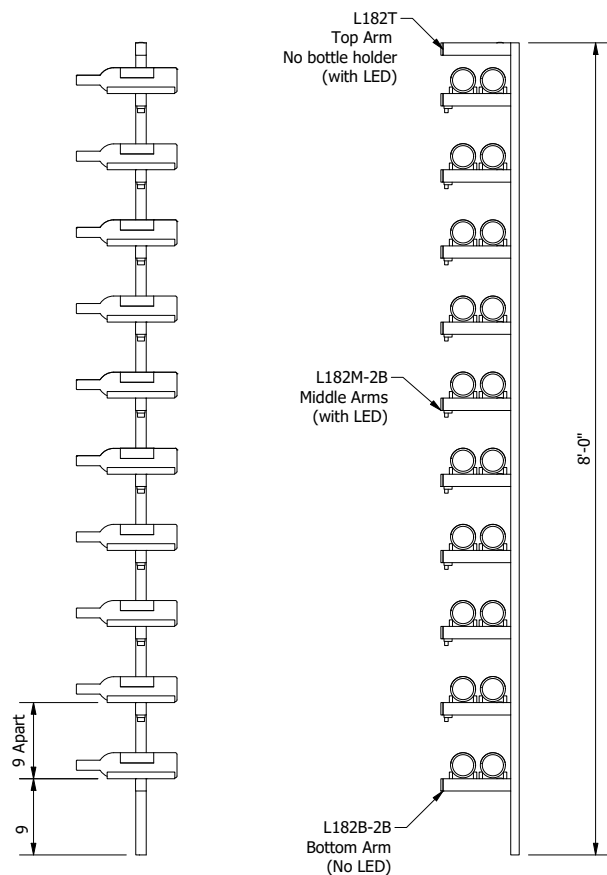
L182B-2B-BA | x 1

LED18W350iZ-01B

Mounting: wall-mount

Distance between arms: 9"

Approval Drawing:



Render:



THE RESULT

MP Lighting's Head Office
L182 with 2B bottle holders



FREQUENTLY ASKED QUESTIONS

What are the anti-glare accessories?

The anti-glare accessories are the half and full shrouds that can be attached to the LED light on the arms. The shrouds are a barrier against the immediate light to protect your eyes from uncomfortable glare.



full shroud



half shroud

What are the 6 cross arms?

The 6 cross arms, or bottle holders, are:

1A (single bottle, neck view) and **2A** (double bottle, neck view) – best for thinner setups;
1B (single bottle, label view), **2B** (double bottle, label view) – best for displaying labels;
1V (single bottle, vertical view) – best for displaying a favorite bottle;
4B (quadruple bottle, label view) – best for a big collection with limited space.



1A



2A



1B



2B



1V



4B

Can the wine rack systems be kept in a refrigerated display?

They absolutely can. When requesting a wine rack system, ask for MP Lighting's special coating, it protects the integrated LED lights from water damage, sea salt damage, and more.

Does the system have any impact on the wine's quality?

No. The LED's produce minimal heat to preserve the wine quality.

What is the suggested spacing between arms and rails?

Our suggested spacing is 9-12 inches apart for the 1A, 2A, 1B, 2B, and 4B arms, and 16-24 inches for the 1V arm, but the highly customizable nature of the Wine Rack means we can put them as close or as far as you need. For the column rails, our suggested spacing is 7-14 inches apart.



HEAD OFFICE
16 WEST 4TH AVENUE
VANCOUVER - BC V5Y 1G3
CANADA

info@mplighting.com
www.mplighting.com

t 604 708 1184
tf 1 877 708 1184

© 2026 MP Lighting

FOLLOW MP LIGHTING ON SOCIAL MEDIA



MP Lighting on Archello



@mp_lighting on Instagram



MP Lighting on Pinterest